



# NOTICE D'EMPLOI PIÈCES DÉTACHÉES

---

**Epandeur d'engrais**

**T2250**

---

**SITREX  
Série PA  
1<sup>er</sup> modèle**



Yvan Béal - 21, av. de l'Agriculture - B.P. 16  
Z.I. du Brézet - 63014 Clermont-Ferrand Cedex 2  
Tél : 04 73 91 93 51 - Télécopie : 04 73 90 23 11  
www.yvanbeal.fr - E-mail : info@yvanbeal.fr  
R.C.S. Clermont-Fd B 304 973 886 S.A.S. au capital de 612 000 €

**01-000313-060718**

**03-000046-040902**



**TABELLA DI SPARGIMENTO PER SEMENTI MOD. PA**  
**TABLEAU D'EPANDAGE POUR GRAINES MOD. PA**  
**SPREADING TABLE FOR SEEDS MOD. PA**  
**STREUTABELLE FÜR SAATGUT MOD. PA**

| SEMENTI<br>GRAINES<br>SEEDS<br>SAATKÖRNER                     | GIRI PTO<br>VITESSE PTO<br>PTO SPEED<br>(RPM)<br>UMDREHUN-<br>GEN PTO | LARGH. DI<br>SPAND. MT.<br>- LARGEUR<br>D'EPANDAGE M.<br>SPREADING<br>WIDTH IN<br>METERS<br>STREUBREITE<br>M. | APERTURA<br>OUVERTURE<br>FEED<br>ÖFFNUNG | VELOCITÀ DI MARCIA IN KM/h.   |                          |                         |                        |                       |
|---|---|---|--|-------------------------------|--------------------------|-------------------------|------------------------|-----------------------|
|   |   |   |  | VITESSE DE MARCHÉ EN KM/h.    |                          |                         |                        |                       |
|   |   |   |  | FORWARD SPEED IN KM. PER HOUR |                          |                         |                        |                       |
|   |   |   |  | FAHRGESCHWINDIGKEIT IN KM/h.  |                          |                         |                        |                       |
|   |   |   |  | 1.5                           | 4                        | 8                       | 12                     | 16                    |
| FRUMENTO<br>BLE<br>WHEAT<br>WEIZEN                            | 500   | 16  | 2<br>2,5<br>3<br>3,5                     | 306<br>495<br>677<br>830      | 122<br>197<br>270<br>354 | 61<br>98<br>135<br>177  | 40<br>65<br>89<br>118  | 29<br>48<br>67<br>88  |
| AVENA<br>AVOINE<br>OAT<br>HAFER                               | 500   | 8   | 1,5<br>2<br>2,5<br>3                     | 235<br>389<br>580<br>777      | 92<br>155<br>231<br>310  | 46<br>77<br>115<br>154  | 30<br>51<br>77<br>103  | 22<br>38<br>56<br>77  |
| SEGALA<br>SEIGLE<br>RYE<br>ROGGEN                             | 500   | 16  | 2<br>2,5<br>3<br>3,5                     | 395<br>615<br>843<br>1025     | 156<br>242<br>336<br>410 | 81<br>122<br>167<br>205 | 51<br>82<br>111<br>136 | 39<br>62<br>86<br>102 |
| ORZO<br>ORGE<br>BARLEY<br>GERSTE                              | 500   | 12  | 2,5<br>3<br>3,5<br>4                     | 405<br>492<br>680<br>837      | 161<br>197<br>273<br>334 | 80<br>97<br>135<br>166  | 52<br>64<br>91<br>110  | 40<br>49<br>66<br>82  |
| LEGLIO<br>IVRAIE<br>RYE GRASS<br>RAIGRAS-LOLCH                | 500   | 5   | 1,5<br>2<br>2,5                          | 56<br>159<br>335              | 22<br>64<br>134          | 12<br>33<br>68          | 8<br>22<br>45          | 6<br>16<br>34         |
| SEME DI RAPA<br>GRAINE DE NAVET<br>RAPE SEED<br>RÜBENSAMEN    | 500   | 6,50  | 1,5<br>2<br>2,5                          | 43<br>240<br>478              | 18<br>96<br>192          | 9<br>47<br>96           | 7<br>32<br>64          | 4<br>24<br>47         |
| TRIFOGLIO ROSSO<br>TREFLE ROUGE<br>RED CLOVER<br>INKARNATKLEE | 500   | 6,50  | 1,5<br>2<br>2,5                          | 64<br>220<br>539              | 25<br>88<br>217          | 12<br>44<br>108         | 8<br>29<br>73          | 7<br>23<br>54         |

**TABELLA DI SPARGIMENTO PER SPANDICONCIME PA**  
**TABLEAU D'EPANDAGE POUR EPANDEUR D'ENGRAIS PA**  
**PA and PV FERTILIZER SPREADER SPREADING TABLES**  
**STREUTABELLE FÜR DÜNGERSTREUER PA**

| TIPO DI CONCIME<br>TYPE D ENGRAIS<br>FERTILIZER TYPE<br>ART DES DÜNGERS   | GIRI PTO<br>VITESSE PTO<br>PTO SPEED (RPM)<br>UNDREHUNGEN PTO | LARGH SPAND MT<br>LARGEUR EPAND M<br>SPREADING WIDTH IN METERS<br>STREUBREITE M | KM/h<br>KM/h<br>KM PER HOUR<br>KM/h. | QUANTITÀ DA SPARGERE IN KG/HA ALLA VELOCITÀ DI MARCIA INDICATA NELLA COLONNA KM/h<br>QUANTITÉ À ÉPANDRE EN KG/HA À LA VITESSE INDIQUÉE DANS LA COLONNE KM/h.<br>QUANTITY TO BE SPREAD IN KG. PER HECTARE AT THE FORWARD SPEED INDICATED IN THE KM. PER HOUR COLUMN.<br>STREUMENGE IN KG/HA BEI HIERDANE BEN ANGEZEIGTER KM/h. FAHRGESCHWINDIGKEIT. |     |      |      |      |      |      |      |      |      |      |      |  |
|---|---|---|--------------------------------------|--|-----|------|------|------|------|------|------|------|------|------|------|--|
|   |   |   |                                      | APERTURA - OUVERTURE - FEED - DEFFNUNG   |     |      |      |      |      |      |      |      |      |      |      |  |
|   |   |   |                                      | 1.5  | 2   | 2.5  | 3    | 3.5  | 4    | 4.5  | 5    | 5.5  | 6    | 6.5  | 7    |  |
|   |   |   |                                      |  |     |      |      |      |      |      |      |      |      |      |      |  |
| CONCIMI A GRANA GROSSA<br>ENGRAIS A GROS GRAINS<br>COARSE GRAIN FERTILIZERS<br>DÜNGER. GROSSKÖRNIG                  | 500   | 22  | 1.5                                  | 225  | 375 | 691  | 1139 | 1455 | 1795 | 2175 | 2628 | 2890 | 3250 | 3560 | 4005 |  |
|   |   |   | 4                                    | 106  | 156 | 277  | 465  | 580  | 720  | 887  | 1050 | 1155 | 1305 | 1450 | 1628 |  |
|   |   |   | 8                                    | 58   | 78  | 145  | 230  | 292  | 360  | 441  | 530  | 586  | 675  | 742  | 835  |  |
|   |   |   | 12                                   | 39   | 60  | 96   | 156  | 197  | 245  | 292  | 363  | 385  | 450  | 485  | 552  |  |
|   |   |   | 16                                   | 23   | 39  | 72   | 120  | 150  | 192  | 225  | 270  | 290  | 335  | 369  | 420  |  |
| CONCIMI A GRANA MEDIA<br>ENGRAIS A GRAINS MOYENS<br>MEDIUM GRAIN FERTILIZERS<br>DÜNGER. MITTELKÖRNIG                | 500   | 18  | 1.5                                  |  | 523 | 896  | 1279 | 1635 | 2027 | 2258 | 2624 | 2894 | 3169 | 3352 | 3686 |  |
|   |   |   | 4                                    |  | 197 | 370  | 525  | 671  | 830  | 927  | 1062 | 1167 | 1281 | 1350 | 1495 |  |
|   |   |   | 8                                    |  | 118 | 192  | 265  | 340  | 422  | 469  | 537  | 590  | 652  | 684  | 753  |  |
|   |   |   | 12                                   |  | 82  | 127  | 183  | 223  | 284  | 321  | 365  | 398  | 449  | 465  | 512  |  |
|   |   |   | 16                                   |  | 60  | 92   | 130  | 174  | 212  | 232  | 276  | 300  | 331  | 350  | 382  |  |
| CONCIMI A GRANA FINE<br>ENGRAIS A PETITS GRAINS<br>FINE GRAIN FERTILIZERS<br>DÜNGER. FEINKÖRNIG                     | 500   | 12  | 1.5                                  | 198  | 324 | 550  | 926  | 1195 | 1507 | 1766 | 2125 | 2392 | 2743 | 2980 | 3317 |  |
|   |   |   | 4                                    | 95   | 137 | 229  | 382  | 494  | 619  | 727  | 866  | 971  | 1122 | 1217 | 1332 |  |
|   |   |   | 8                                    | 52   | 68  | 121  | 200  | 252  | 315  | 364  | 445  | 496  | 561  | 608  | 677  |  |
|   |   |   | 12                                   | 33   | 46  | 105  | 137  | 172  | 217  | 248  | 296  | 334  | 382  | 415  | 454  |  |
|   |   |   | 16                                   | 19   | 34  | 59   | 98   | 128  | 154  | 189  | 224  | 263  | 288  | 317  | 335  |  |
| CONCIMI CRISTALLINI MEDI<br>ENGRAIS A CR. MOYENS<br>MEDIUM CRISTALLINE FERT.<br>DÜNGER. KRISTALLIN.<br>MITTELGRÖSSE | 500   | 8   | 1.5                                  | 375  | 620 | 1144 | 1855 | 2294 | 2940 | 3436 | 4094 | 4583 | 5086 | 5577 | 6144 |  |
|   |   |   | 4                                    | 131  | 249 | 468  | 751  | 927  | 1197 | 1387 | 1643 | 1842 | 2047 | 2242 | 2470 |  |
|   |   |   | 8                                    | 77   | 127 | 237  | 374  | 473  | 607  | 698  | 829  | 933  | 1031 | 1124 | 1241 |  |
|   |   |   | 12                                   | 50   | 86  | 159  | 253  | 318  | 414  | 472  | 557  | 621  | 689  | 755  | 827  |  |
|   |   |   | 16                                   | 34   | 61  | 114  | 194  | 236  | 312  | 361  | 413  | 464  | 517  | 564  | 624  |  |
| CALCIOCIANAMIDE E ASSIM.<br>CYANAMIDE CALC. E SIM.<br>CALC. CYANAMIDE AND S.<br>KALKSTICKSTOFF UND ÄHNL.            | 500   | 10  | 1.5                                  | 312  | 852 | 1255 | 1859 | 2295 | 2995 | 3259 | 3801 | 4874 |      |      |      |  |
|   |   |   | 4                                    | 124  | 341 | 515  | 752  | 919  | 1129 | 1316 | 1526 | 1714 |      |      |      |  |
|   |   |   | 8                                    | 66   | 169 | 260  | 337  | 462  | 562  | 664  | 764  | 858  |      |      |      |  |
|   |   |   | 12                                   | 42   | 113 | 168  | 248  | 309  | 378  | 441  | 510  | 571  |      |      |      |  |
|   |   |   | 16                                   | 29   | 83  | 127  | 189  | 232  | 285  | 328  | 382  | 427  |      |      |      |  |
| SOLF. DI AMMONIO (CR.)<br>SULFATE D'AMON. EN (CR.)<br>AMMONIUM SULPH. (CR.)<br>AMMONIUMSÜLFAT (KR.)                 | 500   | 10  | 1.5                                  | 161  | 642 | 1050 | 1581 | 2022 | 2499 | 2963 | 3478 | 3812 | 4281 | 4590 | 5138 |  |
|   |   |   | 4                                    | 69   | 254 | 424  | 633  | 814  | 1007 | 1182 | 1395 | 1531 | 1718 | 1842 | 2057 |  |
|   |   |   | 8                                    | 32   | 130 | 214  | 319  | 411  | 504  | 590  | 699  | 762  | 860  | 919  | 1033 |  |
|   |   |   | 12                                   | 26   | 83  | 139  | 215  | 274  | 335  | 396  | 475  | 513  | 577  | 618  | 690  |  |
|   |   |   | 16                                   | 17   | 66  | 107  | 162  | 204  | 252  | 298  | 350  | 382  | 429  | 466  | 515  |  |
| SCORIE THOMAS<br>SCORIE THOMAS<br>THOMAS MEAL<br>THOMASSCHLACKE   | 400/500   | 6   | 1.5                                  |  |     |      |      | 2571 | 5724 | 7580 | 7874 |      |      |      |      |  |
|   |   |   | 6                                    |  |     |      |      | 650  | 1451 | 1915 | 1973 |      |      |      |      |  |
|   |   |   | 12                                   |  |     |      |      | 330  | 610  | 958  | 988  |      |      |      |      |  |
|   |   |   | 19                                   |  |     |      |      | 222  | 485  | 630  | 662  |      |      |      |      |  |

**TABELLA DI SPARGIMENTO PER SEMENTI MOD. PA**  
**TABLEAU D'EPANDAGE POUR GRAINES MOD. PA**  
**SPREADING TABLE FOR SEEDS MOD. PA**  
**STREUTABELLE FÜR SAATGUT MOD. PA**

| SEMENTI<br>GRAINES<br>SEEDS<br>SAATKÖRNER                     | GIRI PTO<br>VITESSE PTO<br>PTO SPEED<br>(RPM)<br>UMDREHUN-<br>GEN PTO | LARGH. DI<br>SPAND. YARDS<br>LARGEUR<br>D'EPANDAGE<br>YARDS<br>SPREADING<br>WIDTH IN<br>YARDS<br>STREUBREITE<br>YARDS | APERTURA<br>OUVERTURE<br>FEED<br>ÖFFNUNG | VELOCITÀ IN MIGLIA ALL'ORA E RELATIVE QUANTITÀ DA SPARGERE<br>IN LIBBRE PER ACRE ALLE VARIE POSIZIONI DI APERTURA<br>VITESSE DE MARCHE EN MILLES HORAIRES ET EPANDAGE<br>EN LIVRES PAR ACRE<br>MILES PER HOUR AND SPREADING RATES OF LBS PER ACRE<br>GESCHWINDIGKEIT LBS PRO STUNDE U. STREUMENGE<br>LBS PRO AKRO |                          |                         |                       |                      |
|---|---|---|--|---|--------------------------|-------------------------|-----------------------|----------------------|
|   |   |   |  | 1   | 2,5                      | 5                       | 7,5                   | 10                   |
| FRUMENTO<br>BLE<br>WHEAT<br>WEIZEN                            | 500   | 17,5  | 2<br>2,5<br>3<br>3,5                     | 273<br>442<br>604<br>741  | 109<br>176<br>241<br>316 | 55<br>88<br>121<br>159  | 36<br>58<br>79<br>106 | 26<br>43<br>60<br>79 |
| AVENA<br>AVOINE<br>OAT<br>HAFER                               | 500   | 8,7   | 1,5<br>2<br>2,5<br>3                     | 209<br>347<br>518<br>693  | 83<br>139<br>206<br>277  | 41<br>69<br>103<br>139  | 27<br>46<br>69<br>92  | 20<br>34<br>50<br>69 |
| SEGALA<br>SEIGLE<br>RYE<br>ROGGEN                             | 500   | 17,5  | 2<br>2,5<br>3<br>3,5                     | 353<br>549<br>752<br>915  | 139<br>216<br>300<br>366 | 72<br>109<br>149<br>183 | 46<br>73<br>99<br>121 | 35<br>55<br>77<br>91 |
| ORZO<br>ORGE<br>BARLEY<br>GERSTE                              | 500   | 13,1  | 2,5<br>3<br>3,5<br>4                     | 362<br>439<br>607<br>747  | 144<br>176<br>244<br>298 | 71<br>87<br>121<br>148  | 47<br>57<br>82<br>98  | 36<br>44<br>59<br>73 |
| LEGLIO<br>IVRAIE<br>RYE GRASS<br>RAIGRAS-LOLCH                | 500   | 5,5   | 1,5<br>2<br>2,5                          | 50<br>142<br>299  | 20<br>57<br>120          | 11<br>30<br>61          | 7<br>20<br>40         | 6<br>14<br>30        |
| SEME DI RAPA<br>GRAINE DE NAVET<br>RAPE SEED<br>RÜBENSAMEN    | 500   | 7,1   | 1,5<br>2<br>2,5                          | 41<br>214<br>427  | 16<br>86<br>172          | 8<br>42<br>86           | 6<br>29<br>57         | 4<br>22<br>42        |
| TRIFOGLIO ROSSO<br>TREFLE ROUGE<br>RED CLOVER<br>INKARNATKLEE | 500   | 7,1   | 1,5<br>2<br>2,5                          | 57<br>196<br>481  | 22<br>78<br>194          | 11<br>39<br>96          | 7<br>26<br>65         | 6<br>21<br>48        |

**TABELLA DI SPARGIMENTO PER SPANDICONCIME PA**  
**TABLEAU D'EPANDAGE POUR EPANDEUR D'ENGRAIS PA**  
**PA and PV FERTILIZER SPREADER SPREADING TABLES**  
**STREUTABELLE FÜR DÜNGERSTREUER PA**

| TIPO DI CONCIME<br>TYPE D'ENGRAIS<br>FERTILIZER TYPE<br>ART DES DÜNGERS   | Giri PTO<br>Vitesse PTO<br>PTO speed (R.P.M.)<br>Undrehungen PTO | Largh. Spand. Yards<br>Largeur epand Yards<br>Spreading width in Yards<br>Streu-breite Yards | Miglia ora<br>Milles horaires<br>MPH<br>Meilen Stunde | Quantita da spargere in LBS/ACRO alla velocita di marcia indicata nella colonna miglia/ora<br>Quantité à épandre en LBS/ACRE à la vitesse indiquée dans la colonne milles horaires<br>Quantity to be spread in LBS/ACRE at the forward speed indicated column MPH<br>Streumenge in LBS/AKRO bei hierdaneben angezeigter Meilen/Stunde fahrgeschwindigkeit |                                |                                  |                                  |                                  |                                   |                                   |                                   |                                   |                                   |                                    |                                    |                                   |
|---|--|--|---|---|--------------------------------|----------------------------------|----------------------------------|----------------------------------|-----------------------------------|-----------------------------------|-----------------------------------|-----------------------------------|-----------------------------------|------------------------------------|------------------------------------|-----------------------------------|
|   |  |  |   | Apertura - Ouverture - Feed - Oeffnung  |                                |                                  |                                  |                                  |                                   |                                   |                                   |                                   |                                   |                                    |                                    |                                   |
|   |  |  |   | 1,5   | 2                              | 2,5                              | 3                                | 3,5                              | 4                                 | 4,5                               | 5                                 | 5,5                               | 6                                 | 6,5                                | 7                                  |                                   |
|   |  |  |   | Concimi a grana grossa<br>Engrais a gros grains<br>Coarse grain fertilizers<br>Dünger, Grosskörnig  | 500                            | 24                               | 1<br>2,5<br>5<br>7,5<br>10       | 201<br>95<br>52<br>35<br>21      | 335<br>145<br>70<br>54<br>35      | 617<br>247<br>129<br>86<br>64     | 1016<br>415<br>205<br>139<br>107  | 1299<br>518<br>261<br>176<br>134  | 1602<br>642<br>321<br>219<br>171  | 1941<br>791<br>394<br>261<br>201   | 2372<br>937<br>473<br>324<br>241   | 2579<br>1031<br>523<br>344<br>259 |
| Concimi a grana media<br>Engrais a greins moyens<br>Medium grain fertilizers<br>Dünger, Mittelkörnig                | 500  | 19,7   | 1<br>2,5<br>5<br>7,5<br>10                            |   | 467<br>176<br>105<br>73<br>54  | 799<br>330<br>171<br>113<br>82   | 1141<br>468<br>237<br>163<br>116 | 1459<br>599<br>303<br>199<br>155 | 1807<br>741<br>377<br>253<br>189  | 2015<br>827<br>419<br>287<br>207  | 2341<br>948<br>479<br>326<br>246  | 2582<br>1041<br>526<br>355<br>268 | 2827<br>1143<br>582<br>401<br>295 | 2991<br>1205<br>610<br>415<br>312  | 3289<br>1334<br>672<br>457<br>341  |                                   |
| Concimi a grana fine<br>Engrais a petits grains<br>Fine grain fertilizers<br>Dünger, Feinkörnig                     | 500  | 13,1   | 1<br>2,5<br>5<br>7,5<br>10                            | 177<br>85<br>46<br>30<br>17   | 289<br>122<br>61<br>41<br>30   | 491<br>204<br>108<br>94<br>53    | 826<br>341<br>179<br>122<br>88   | 1066<br>441<br>225<br>153<br>114 | 1345<br>552<br>281<br>194<br>137  | 1576<br>649<br>325<br>221<br>169  | 1896<br>773<br>397<br>264<br>200  | 2134<br>866<br>443<br>298<br>235  | 2447<br>1001<br>500<br>341<br>257 | 2659<br>1086<br>542<br>370<br>283  | 2959<br>1188<br>604<br>405<br>299  |                                   |
| Concimi cristallini medi<br>Engrais a cr. moyens<br>Medium cristalline fert.<br>Dünger, Kristallin.<br>Mittelgrösse | 500  | 8,75   | 1<br>2,5<br>5<br>7,5<br>10                            | 335<br>117<br>69<br>45<br>30  | 553<br>222<br>113<br>77<br>54  | 1021<br>418<br>212<br>142<br>102 | 1655<br>670<br>334<br>226<br>173 | 2047<br>827<br>422<br>284<br>211 | 2624<br>1068<br>542<br>369<br>278 | 3066<br>1238<br>623<br>421<br>322 | 3653<br>1466<br>740<br>497<br>369 | 4089<br>1644<br>832<br>554<br>414 | 4538<br>1827<br>920<br>615<br>461 | 4976<br>2000<br>1003<br>674<br>503 | 5482<br>2204<br>1107<br>738<br>557 |                                   |
| Calciocianamide e assim.<br>Cyanamide calc. e sim.<br>Calc. cyanamide and s.<br>Kalkstickstoffe und ähnl.           | 500  | 11   | 1<br>2,5<br>5<br>7,5<br>10                            | 278<br>111<br>59<br>37<br>26  | 760<br>304<br>151<br>101<br>74 | 1120<br>457<br>232<br>150<br>113 | 1659<br>671<br>301<br>221<br>169 | 2048<br>820<br>412<br>276<br>207 | 2672<br>1008<br>502<br>337<br>254 | 2908<br>1174<br>592<br>394<br>293 | 3391<br>1362<br>682<br>455<br>341 | 4349<br>1529<br>766<br>509<br>381 |                                   |                                    |                                    |                                   |
| Solf. di ammonio (cr.)<br>Sulfate d'ammon. en (cr.)<br>Amminuim sulph. (cr.)<br>Ammoniumsulfat (kr.)                | 500  | 11   | 1<br>2,5<br>5<br>7,5<br>10                            | 144<br>62<br>29<br>23<br>15   | 573<br>227<br>116<br>74<br>59  | 937<br>378<br>191<br>124<br>95   | 1411<br>565<br>285<br>192<br>145 | 1804<br>726<br>367<br>244<br>182 | 2230<br>899<br>450<br>299<br>225  | 2644<br>1055<br>526<br>353<br>266 | 3103<br>1245<br>639<br>424<br>312 | 3401<br>1366<br>680<br>458<br>341 | 3820<br>1533<br>767<br>515<br>383 | 4095<br>1644<br>820<br>551<br>416  | 4584<br>1835<br>922<br>616<br>460  |                                   |
| Scorie thomas<br>Scorie thomas<br>Thomas meal<br>Thomasschlacke   | 400/<br>500  | 6,6  | 1<br>3,7<br>7,5<br>11,8                               |   |                                |                                  |                                  | 2294<br>580<br>293<br>198        | 5107<br>1295<br>544<br>433        | 6763<br>1709<br>855<br>562        | 7025<br>1760<br>882<br>591        |                                   |                                   |                                    |                                    |                                   |

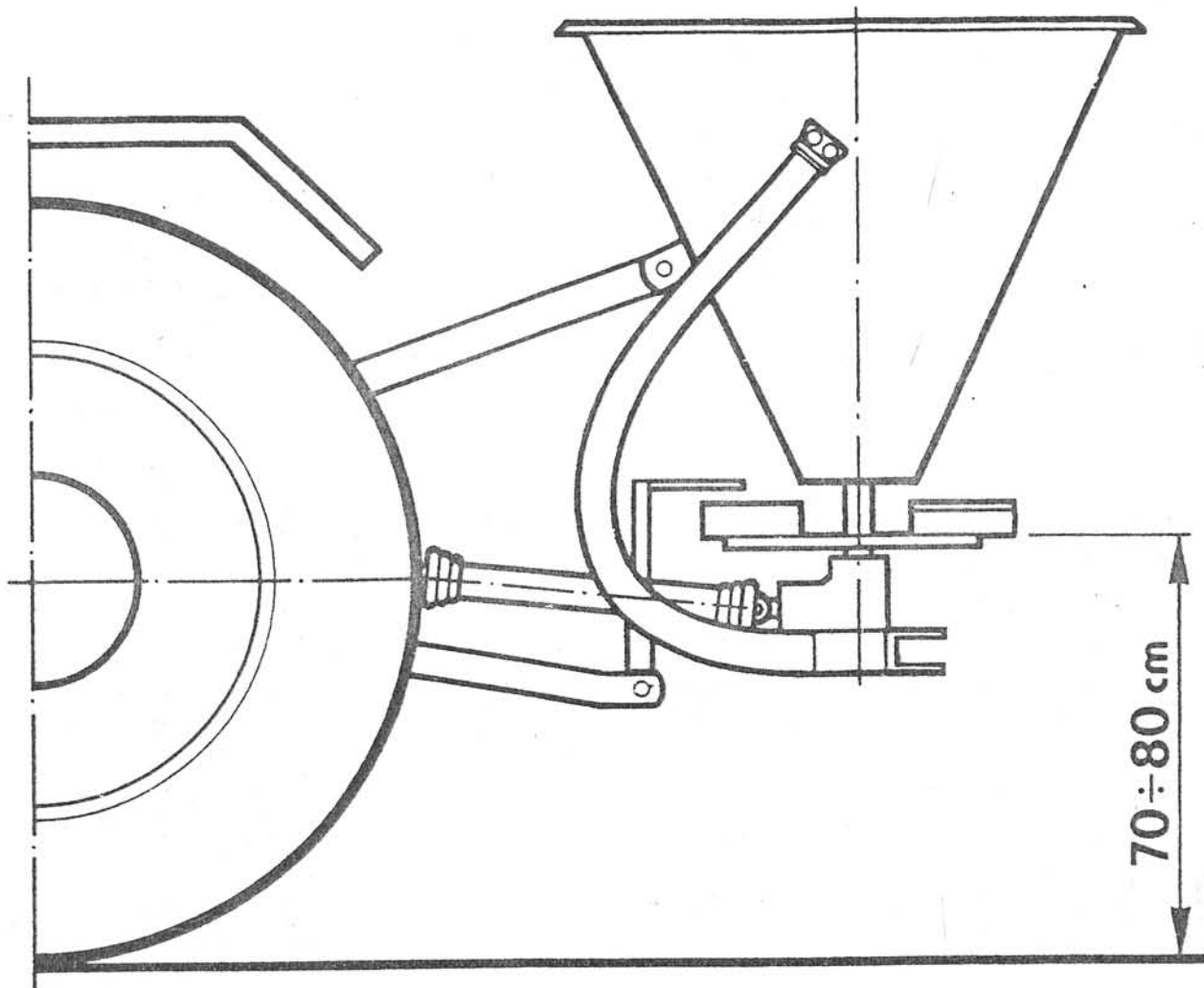


Fig. 1

Prima di mettere in funzione lo spandiconcime assicurarsi che il disco spargitore sia in posizione orizzontale e a circa 70-80 cm. da terra (Figura N. 1).

Avant de mettre l'épandeur d'engrais en marche il faut s'assurer que le disque épandeur soit en position horizontale et à environ 70-80 cm. du sol (Desin N. 1).

Vor der Inbetriebsetzung des Düngerstreuers vergewissere man sich, dass die Streuscheibe in waagrechter Lage ist und in zirka 70-80 cm. Bodenabstand (Bild Nr. 1).

Before operating the manure spreader make certain that the spreading disk is in the horizontal position and at about 70-80 cm. from the ground (Figure N. 1).



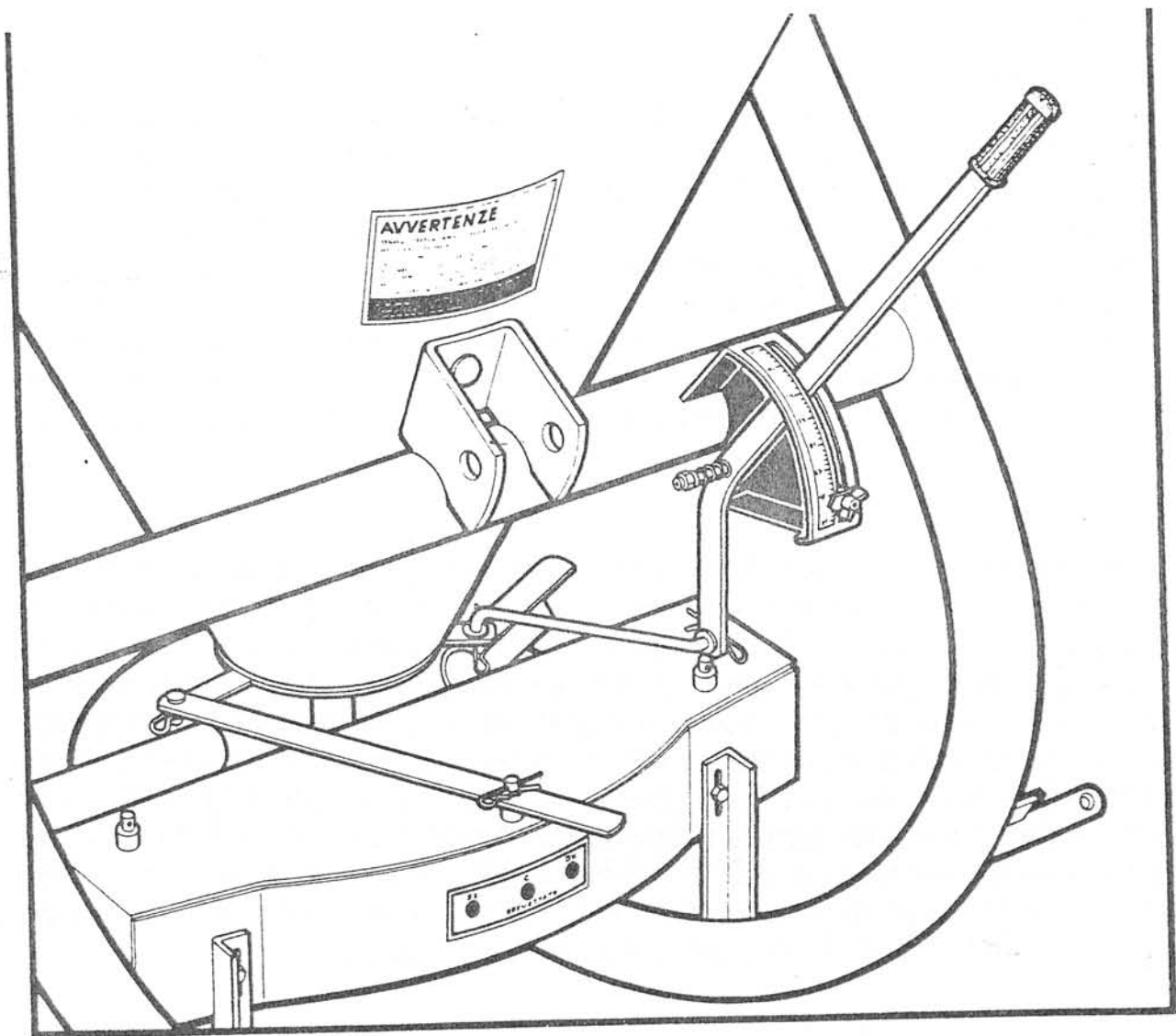
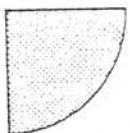
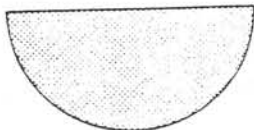


Fig. 2

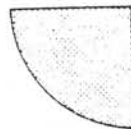
SX



C



DX



### VERSIONE A SPAGLIO ORIENTABILE

Con un semplice spostamento della leva inferiore permette di orientare lo spaglio a destra o a sinistra di chi guida.

### VERSION A EPANDAGE ORIENTABLE

Par un simple déplacement du levier inférieur on peut orienter l'épandage à gauche ou à droite de la personne qui conduit.

### ROTARY DISTRIBUTION VERSION

A simple adjustment of the lower lever allows to rotate the distribution to the right or to the left of the driver.

### AUSFÜHRUNG MIT VERSTELLBARER STREUVORRICHTUNG

Durch einfaches Verstellen des unteren Hebels kann der Fahrer die Ausstreung nach rechts oder nach links orientieren.

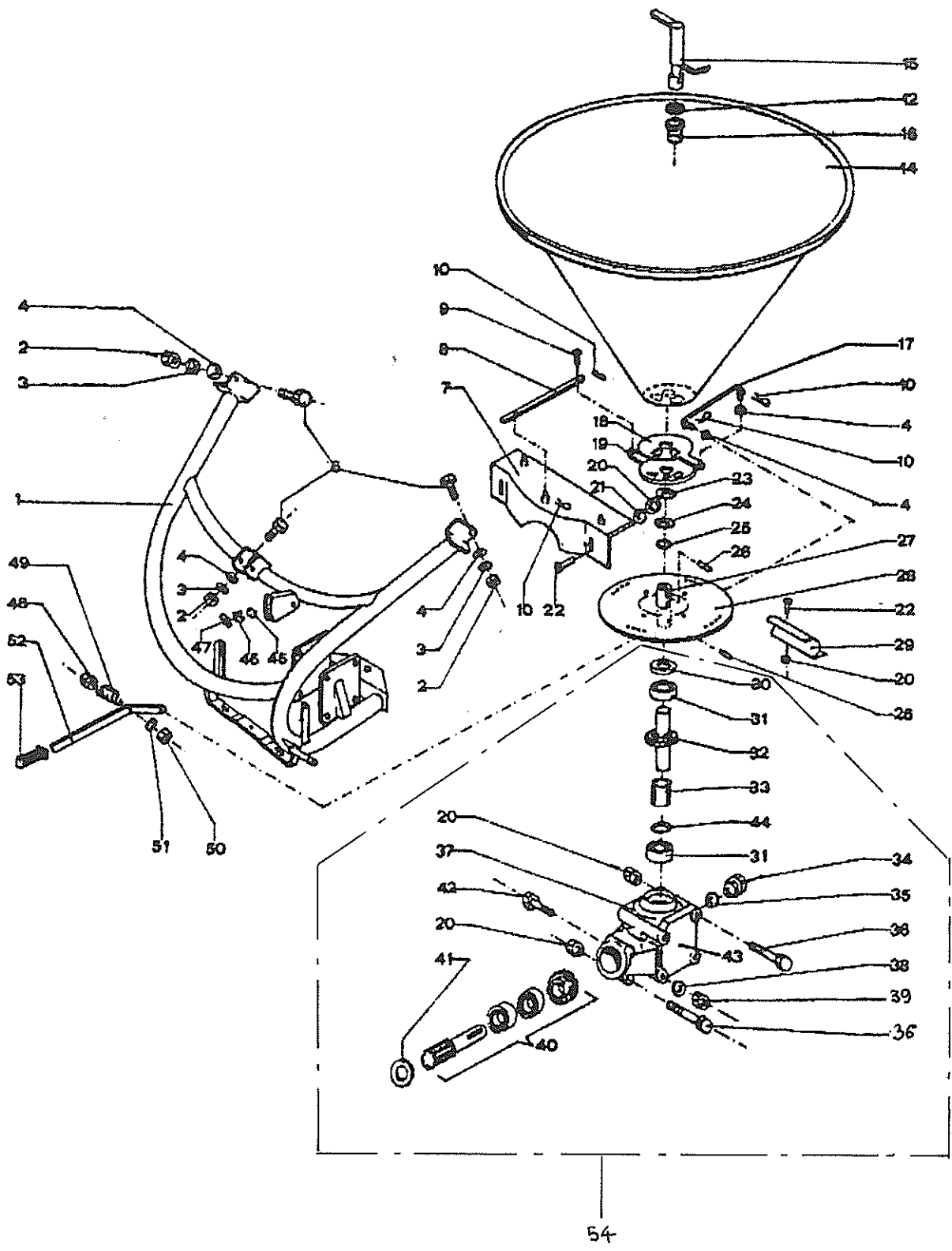


**N.B.:** I dati riportati nella tabella di spargimento sono stati ricavati per mezzo di prove e controllati nell'impiego. Per non rendere troppo complessa la lettura della tabella abbiamo limitato la stessa a pochi esempi, che raggruppano concimi che si differenziano fra loro nel tipo, qualità, forma e peso dei grani. A causa delle citate diversità esposte i dati indicati sono da ritenersi orientativi e non impegnativi. I dati della tabella di spargimento si riferiscono con presa di forza a un regime di 450 giri/min. e con il piatto spargitore ad un'altezza di circa 70/80 cm. Il trattore può essere guidato anche a una velocità diversa a quella prevista delle tabelle, da tener presente che aumentando o diminuendo la velocità diminuisce o aumenta la quantità di concime da spargere per ettaro.

**N.B.:** Les données indiquées dans le différencie tableau d'épandage ont été obtenues avec des essais et controlées dans l'utilisation. Pour ne pas rendre trop compliquée la lecture du tableau nous avons limité celui-ci à quelques exemples qui regroupent les engrais qui ses différencient entre eux dans le type, la qualité, la forme et le poids des graines. A cause de ces différences exposées, les données reportées sont seulement a titre indicatif et sans engagement. Ces données d'épandage s'entendent avec un regime de tours de 450/minute et avec le disque d'épandage à une hauteur de 70/80 cm. du sol. La vitesse du tracteur peut être différente de celle du tableau, mais il faudra tenir compte qu'en augmentant ou en diminuant la vitesse on diminue ou on augmente la quantité d'engrais à épandre par hectare.

**N.W.:** The data listed in the spreading table have been obtained through tests and employment-checked. Not to make the table reading too complex we have limited the same to few examples, which group-up fertilizers which are different for type, quality, grain shape and weight. Because of the recalled differences quoted, the data are to be taken as indications and are not binding. The spreading table data refer to a 450 rev. per minute drive and with the spreading disk at a height of about 70/80 cm. The tractor can be driven at a speed different from the one indicated in the tables also; it must be kept present that increasing or decreasing the speed, the quantity of fertilizer to be spread per hectare decreases or increases.

Die Angaben der Streutabellen wurden auf Grund von Versuchen ermittelt und im Einsatz nachgeprüft. Um die Deutung der Tabellen nicht zu komplizieren, wurden sie auf wenige Beispiele beschränkt, welche einige Dünger zusammenfassen, die sich in Bezug auf Type, Qualität, Form und Körnung voneinander unterscheiden. Die angegebenen Werte, in Anbetracht der vorgeannten Verschiedenheit der Dünger, sind als Richtwerte zu betrachten und somit unverbindlich. Die Angaben der Streutabellen beziehen sich auf eine Zapfwellendrehzahl von 450 Upm, bei einer Streuscheibenhöhe von 70/80 cm. Der Schlepper kann auch mit einer anderen Geschwindigkeit fahren als die in der Tabelle vorgesehen ist; es ist dabei zu beachten, dass sich bei erhöhter oder verminderter Geschwindigkeit die Streumenge pro Hektar vermindert, bzw. erhöht.



LISTE DE PIECES DETACHEES

| <u>REPERE</u> | <u>REFERENCE</u> | <u>DESIGNATION</u>     |
|---------------|------------------|------------------------|
| 1             | 16201            | CHASSIS                |
| 2             | 16202            | ECROU                  |
| 3             | 16203            | RONDELLE               |
| 4             | 16204            | RONDELLE               |
| 6             | 16206            | VIS                    |
| 7             | 16207            | CARTER DE PROTECTION   |
| 8             | 16208            | TIGE DE REGLAGE        |
| 9             | 16209            | AXE                    |
| 10            | 16210            | GOUILLE                |
| 12            | 16212            | RONDELLE               |
| 14            | 16214            | TREMIE                 |
| 15            | 16215            | AGITATEUR              |
| 16            | 16216            | DOUILLE                |
| 17            | 16217            | TIGE DE REGLAGE        |
| 18            | 16218            | DISQUE DE DOSAGE       |
| 19            | 16219            | DISQUE DE REGLAGE      |
| 20            | 16220            | ECROU                  |
| 21            | 16221            | RONDELLE               |
| 22            | 16222            | VIS                    |
| 23            | 16223            | RONDELLE               |
| 24            | 16224            | ANNEAU                 |
| 25            | 16225            | CIRCLIPS               |
| 26            | 16226            | GOUILLE                |
| 27            | 16227            | DOUILLE                |
| 28            | 16228            | DISQUE D'EPANDAGE      |
| 29            | 16229            | PALETTE                |
| 30            | 16230            | BAGUE D'ETANCHEITE     |
| 31            | 16231            | ROULEMENT              |
| 32            | 16232            | ARBRE                  |
| 33            | 16233            | ENTRETOISE             |
| 34            | 16234            | BOUCHON D'HUILE        |
| 35            | 16235            | JOINT                  |
| 36            | 16236            | VIS                    |
| 37            | 16237            | BOITIER RENVOI D'ANGLE |
| 38            | 16238            | RONDELLE               |
| 39            | 16239            | ECROU                  |
| 40            | 16240            | ARBRE                  |
| 41            | 16241            | BAGUE D'ETANCHEITE     |
| 42            | 16242            | VIS                    |
| 43            | 16243            | COUVERCLE DE BOITIER   |
| 44            | 16244            | RONDELLE               |
| 45            | 16245            | PLAQUETTE              |
| 46            | 16246            | ONGLET                 |
| 47            | 16247            | VIS                    |
| 48            | 16248            | ECROU                  |
| 49            | 16249            | RESSORT                |
| 50            | 16250            | VIS                    |
| 51            | 16251            | RONDELLE               |
| 52            | 16252            | LEVIER                 |
| 53            | 16253            | POIGNEE                |
| 54            | LF150B/150000-00 | RENVOI D'ANGLE COMPLET |



**Yvan Béal - 21, av. de l'Agriculture - B.P 16  
Z.I. du Brézet - 63014 Clermont-Ferrand Cedex 2  
Tél : 04 73 91 93 51 - Télécopie : 04 73 90 23 11  
www.yvanbeal.fr - E-mail : info@yvanbeal.fr  
R.C.S. B 304 973 886 - S.A.S. au capital de 612 000 €**