



NOTICE D'EMPLOI

Tondeuses à conducteur Marchant

LP21550

LP21550V

NLP21550V

ELP21500KWV

*(53 cm 5 HP Platinum
Poussée Series 0)*

ELP21550KWV

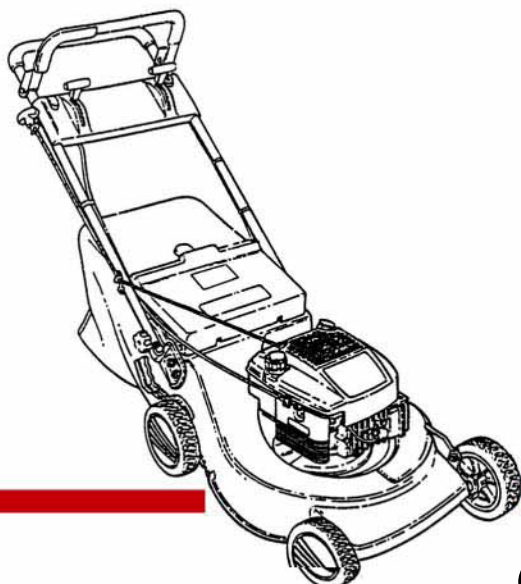
*(53 cm 5.5 HP Platinum
Poussée Series 0)*

LP21600

NLP21600

ELP21600

*(53 cm 6 HP Platinum
Poussée Series 0)*



C.M. 53 cm Serie 0



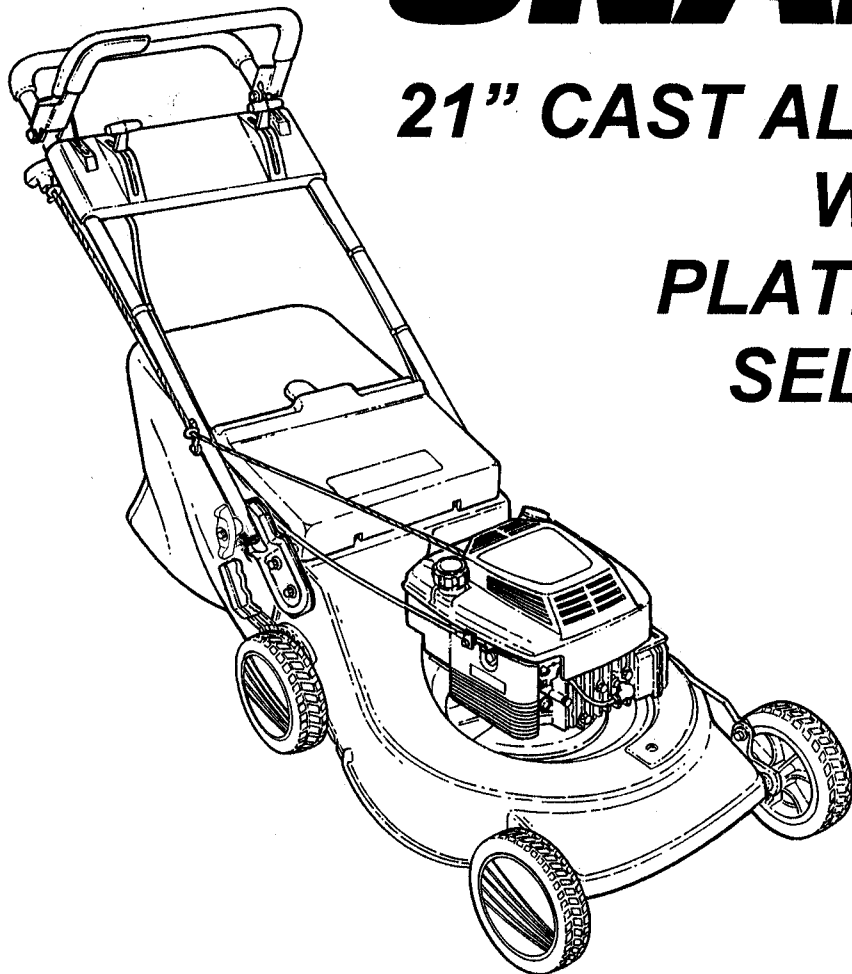
Yvon Béal - Z.I. av. de l'Agriculture - B.P. 16
Z.I. du Brézet - 63014 Clermont-Ferrand Cedex 2
Tél : 04 73 91 93 51 - Télécopie : 04 73 90 23 11
www.yvonbeal.fr - E-mail : info@yvonbeal.fr
R.C.S. B 304 973 886 - S.A.S. au capital de 612 000 €

01-000272-060124

Safety Instructions & Operator's Manual for

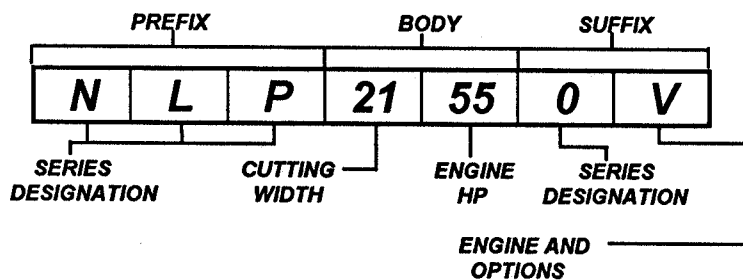
SNAPPER®

21" CAST ALUMINUM DECK WALK MOWERS PLATINUM SERIES 0 SELF-PROPELLED



MODELS	
SELF-PROPELLED MODELS	
LP21550	LP21600
NLP21550V	NLP21600
LP21550V	ELP21600
ELP21500KWV	ELP21550KWV

MODEL NUMBER EXPLANATION



PREFIX EXPLANATION	
P - Self Propelled Mower	N - California Model
L - Platinum	E - European Model
BODY EXPLANATION	
21 - 21" Cutting Width	50 - 5.0 HP Engine
	55 - 5.5 HP Engine
	60 - 6.0 HP Engine
SUFFIX EXPLANATION	
KW - Kawasaki Engine	V - Overhead Valve
	0 - Series Designation

Thank you for buying a SNAPPER Product! Before operating your Walk Behind, read this manual carefully and pay particular attention to the "IMPORTANT SAFETY INSTRUCTIONS" on Page 2. Remember that all power equipment can be dangerous if used improperly. Also keep in mind that SAFETY requires careful use in accordance with the operating instructions and common sense

IMPORTANT SAFETY INSTRUCTIONS

WARNING: This powerful machine is capable of amputating hands and feet and can throw objects that can cause injury and damage! Failure to comply with the following instructions may result in serious injury to the operator or other persons. The owner of the mower must understand these instructions and, furthermore, must allow only persons who understand these instructions to operate mower. Each person operating the mower must be of sound mind and body and must not be under the influence of any substance which might impair vision, dexterity, or judgment. If you have any questions pertaining to your mower which your dealer cannot answer to your satisfaction, call or write the Customer Service Department at SNAPPER, McDonough, Georgia, 30253. Phone: (770) 954-2500.

PROTECTION FOR CHILDREN

1. DO NOT allow children in area when mower is being operated.
2. DO NOT allow pre-teenage children to operate mower.
3. Allow only responsible teenagers with mature judgment or adults to operate mower and only under close supervision.
4. Keep the area clear of all persons, particularly small children, and pets.

PREPARATION

1. Never operate mower without proper guards, plates, safety switches, or other safety protective devices in place and properly connected. Inspect to determine that these safety devices are installed properly, are in good repair, and operate properly. If the condition or operation of these devices are questionable, they must be repaired or replaced before using the mower. Be thoroughly familiar with the controls and proper use of the equipment.
2. Thoroughly inspect the area where the mower is to be used and remove all stones, sticks, wire, bones and other foreign objects. Also note the location of holes, stumps, and other possible hazards.
3. DO NOT operate mower when barefoot or wearing open sandals. Always wear substantial footwear and long pants.
4. Fill fuel tank before starting engine. Use approved fuel container. DO NOT smoke near open fuel container. DO NOT fill fuel tank indoors or when engine is running. Allow engine to cool for at least ten minutes before refilling. Wipe off any spilled fuel before starting engine. DO NOT run engine indoors.
5. Make sure that the wheel drive clutch control is disengaged before starting engine.
6. Never attempt to make a cutting height adjustment while the engine is running.
7. When mowing over rough ground or in tall grass, mower must be set at highest cutting position.
8. Mow only in daylight or in good artificial light.
9. Never operate mower in wet grass. Always be sure of your footing; keep a firm hold on the handle and walk; never run!
10. DO NOT operate mower without the grass bag (and adapter), side chute, mulch cover or adapter plug in place.

OPERATION

1. DO NOT change engine governor settings or over speed engine.
2. DO NOT put hands or feet near or under rotating parts. Keep clear of discharge area while engine is running.
3. STOP engine when crossing gravel drives, walks, or roads, and under any conditions where thrown objects might be a hazard.
4. After striking a foreign object or if mower vibrates abnormally, STOP the engine, disconnect and secure spark plug wire. Inspect the mower for any damage and repair the damage.
5. STOP blade and engine whenever you leave the operating position behind the handle for any reason, including clearing grass, emptying grass bag and making any adjustments, repairs, or inspections.
6. Before cleaning, repairing or inspecting, make certain blade and all moving parts have STOPPED. Disconnect and secure spark plug wire away from plug to prevent accidental starting.
7. STOP engine and wait until the blade comes to complete STOP before removing grass bag and/or clearing grass.
8. Mow across slopes, never up-and-down. Exercise CAUTION when changing directions on slopes. DO NOT mow steep slopes or other areas where stability or traction is in doubt.

MAINTENANCE AND STORAGE

1. Keep all nuts, bolts, and screws tight to be sure mower is in safe operating condition.
2. Never store mower with fuel in tank inside of a building where fumes may reach an open flame or spark. Allow engine to cool before storing in any enclosure.
3. To reduce fire hazard, keep mower free of grass, leaves, spilled fuel or excessive grease.
4. Check grass bag assembly frequently for wear or deterioration. Replace with new bag if loose seams or tears are evident. Replace slider or bag adapter if broken or cracked.
5. Have your mower inspected and serviced each year by an authorized Snapper dealer. Determine if any additional devices are available which might upgrade the safety of your mower.
6. Factory specified Snapper replacement parts must be used to assure adequate protection against injury.

TABLE OF CONTENTS

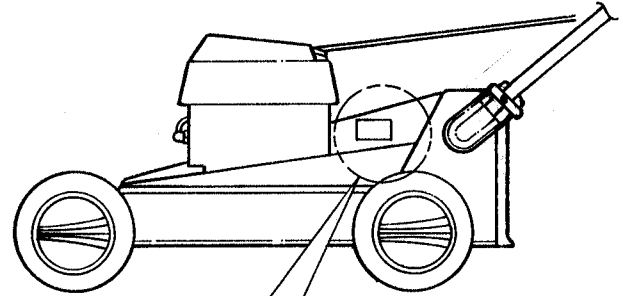
IMPORTANT SAFETY INSTRUCTIONS	2
FAMILIARIZATION	4-5
Serial & Model Number Location.....	4
Controls.....	4
Components.....	5
OPERATING INSTRUCTIONS	6-11
Pre-Start Checklist.....	6
Adjusting Handlebar.....	6
Starting & Stopping Engine.....	7-8
Starting and Stopping Engine with Primer.....	7
Starting and Stopping Engine with Remote Choke.....	8
Starting & Stopping Wheel Drive.....	9
Setting Cutting Height.....	9
Grass Catcher.....	10
Mowing Procedure.....	11
Available Accessories.....	11
TROUBLESHOOTING	12
MAINTENANCE INSTRUCTIONS	13-20
Service Schedule.....	13
Maintenance Parts.....	13
Changing Engine Oil.....	14
Mower Service.....	14-15
Engine Air Cleaner.....	14
Spark Plug.....	14
Engine Cooling System.....	14
Mower Deck.....	15
Mower Blade Service.....	15-17
Blade Wear Limits.....	15
Blade Removal/Replacement.....	15-16
Sharpening Mower Blade.....	16-17
Traction Drive Belt.....	17-18
Traction Drive Belt Removal.....	17-18
Traction Drive Belt Replacement.....	18
Traction Clutch Adjustment.....	19
Testing the Traction Clutch Adjustment.....	19
Traction Cable Adjustment.....	19
End of Season Storage.....	20
SERVICE NOTES	21-22
WARRANTY	23

FAMILIARIZATION

SERIAL & MODEL NUMBER LOCATION

The Serial and model number of the SNAPPER Platinum Series Self Propelled Walk Behind Mower Series 0, is located behind the engine on the discharge tunnel of the mower deck as shown in Figure 1. Record these numbers in the space provided. They will be useful when ordering parts or accessories.

MODEL NUMBER
SERIAL NUMBER



SNAPPER ®		McDonough, GA 30253 U.S.A
SER XXXXXXXX	MOD XXXXXXXXXXXX	
KW X.XX	KG XXX	
HP X.X	LBS XXX	
RPM XXXX		
BAR CODE AREA		

FIGURE 1

CONTROLS

All operators should become familiar with the controls of the SNAPPER Platinum Series Self Propelled Walk Behind Mower, Series 0 before attempting any start up or operation of the mower. See Figure 2.

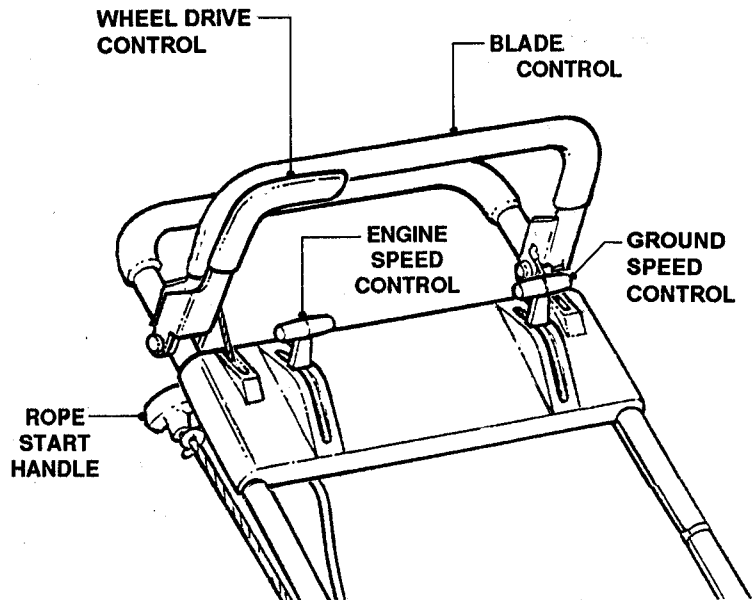


FIGURE 2

FAMILIARIZATION

COMPONENTS

The nomenclature drawing Figure 3, points out the essential components of the SNAPPER Platinum Series Self Propelled Walk Behind Mowers, Series 0. It is recommended that all operators of this equipment become thoroughly familiar with the components and their operation BEFORE OPERATING. Specific details involving the engine are found in the separate Engine Owner's Manual. Study this Operator's Manual, the Important Safety Instructions, on page 3, and the Engine Owner's Manual before operating and keep both manuals handy for future reference.

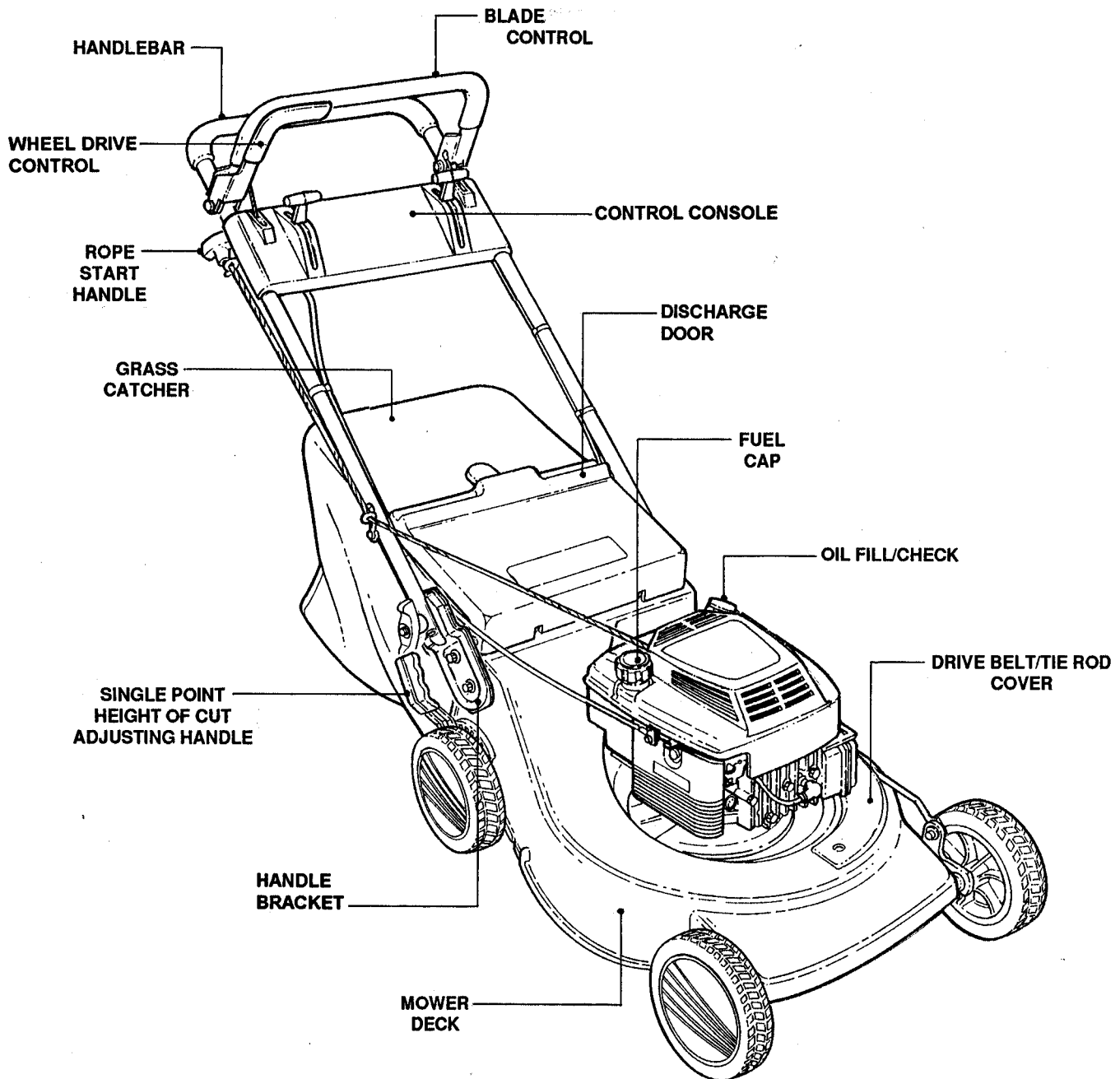


FIGURE 3

OPERATING INSTRUCTIONS

PRE-START CHECKLIST

Make the following checks and perform service as required before each start-up.

Check guards, deflectors and covers to make sure all are in place and securely tightened. If guards are missing or damaged, replace before operating mower.

Check engine oil. Add oil as needed to bring up to, but not over, the full mark. Refer to the engine owner's manual for oil specifications.

Check handlebar adjustment. Adjust as necessary.

Clean exterior surfaces of cutting deck and engine from any accumulation of grass clippings and debris. Keep engine air intake screens and cooling fins clean at all times.

With engine "OFF" move the mower outside and add fuel to the fuel tank. Securely tighten fuel cap after refueling. See Figure 4. Refer to engine owner's manual for fuel specifications.

Check blade control to insure it operates freely.

Check wheel drive control to insure it operates properly. Adjust as necessary. (Ref. Traction Clutch Adjustment Page 19).

Check cutting height and adjust as required.

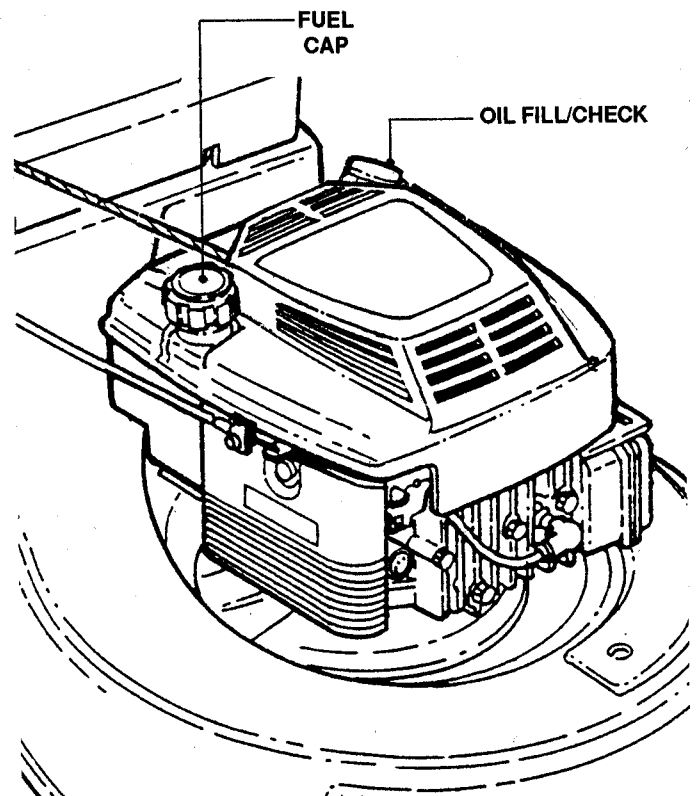


FIGURE 4

ADJUSTING HANDLEBAR

Loosen handle bracket mounting nuts. See Figure 5.

Raise or lower handlebar to most comfortable position. See Figure 5.

Torque mounting nuts to 18-23 ft. lbs.

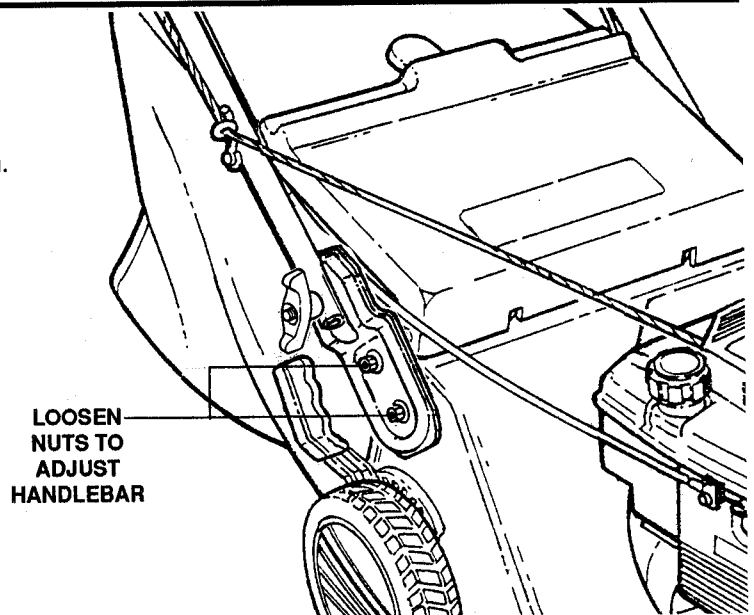


FIGURE 5

OPERATING INSTRUCTIONS

STARTING & STOPPING ENGINE

STARTING ENGINE WITH PRIMER BULB

Push the mower outside.

Push primer bulb three times for starting a cold engine. See Figure 6.

NOTE:

It may not be necessary to push primer when starting a warm engine.

Stand behind mower.

To start the engine, move speed control to the "RUN" position. See Figure 7.

Hold the blade control against the handlebar with left hand. See Figure 7.

Using right hand, pull rope start handle with a smooth, even motion until engine starts. See Figure 8.

After engine starts, guide the rope start handle back to the rope guide. Never allow handle to "SNAP" back.

Allow engine to warm up until engine runs smooth.

STOPPING ENGINE

Move engine speed control to the "IDLE" position. See Figure 7.

Release the blade control to stop engine. See Figure 7.

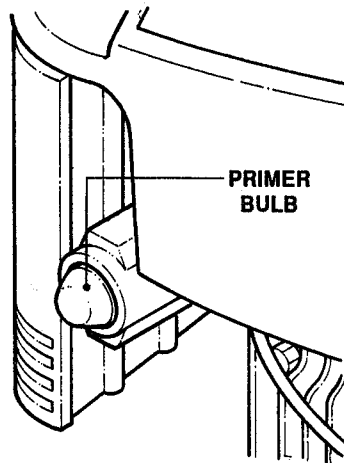


FIGURE 6

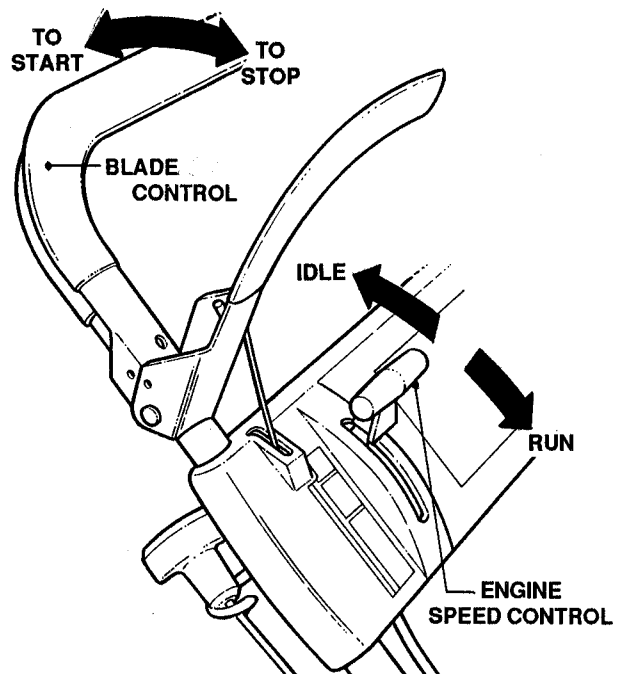


FIGURE 7

	WARNING	
<p><i>The engine cannot be stopped by moving the engine speed control all the way back.</i></p>		

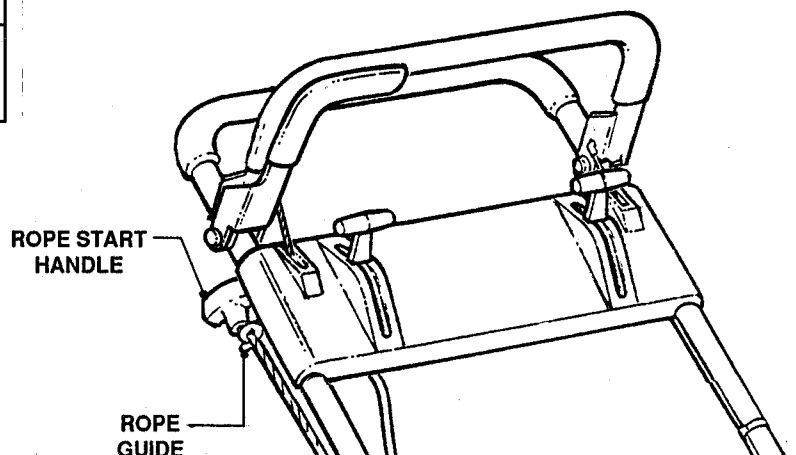


FIGURE 8

OPERATING INSTRUCTIONS

STARTING & STOPPING ENGINE Continued

STARTING ENGINE WITH REMOTE CHOKE

Push the mower outside.

Move the engine speed control to the "CHOKE" position. See Figure 9.

NOTE:

It may not be necessary to choke the engine when starting a warm engine.

Stand behind mower.

Hold the blade control against the handlebar.

Pull rope start handle with a smooth, even motion until engine starts. See Figure 9.

After engine starts, guide the rope start handle back to the rope guide. Never allow handle to "SNAP" back.

Move the engine speed control to the "RUN" position and allow engine to warm up until engine runs smooth.

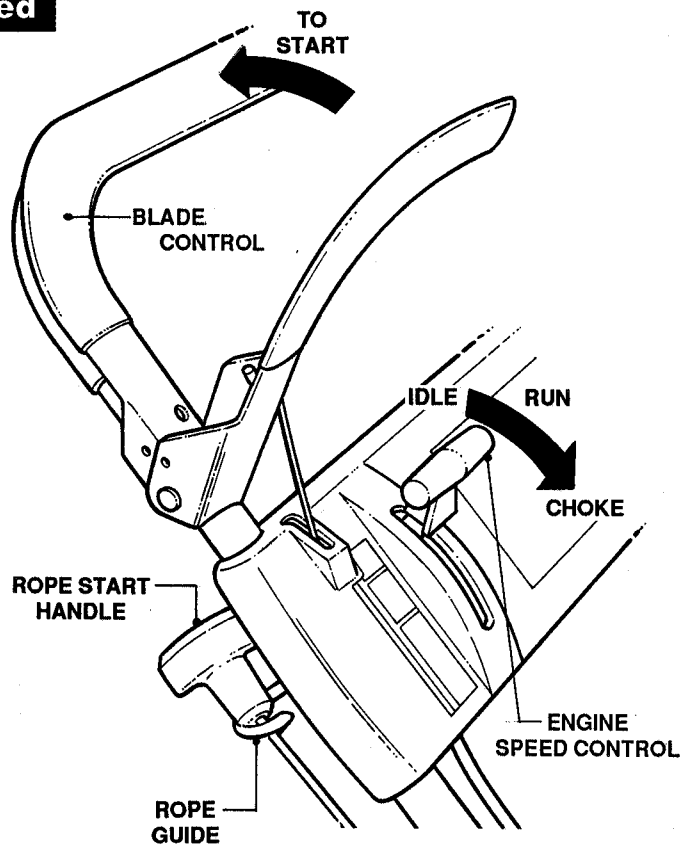


FIGURE 9

STOPPING ENGINE

Move engine speed control to the "IDLE" position. See Figure 10.

Release the blade control to stop engine. See Figure 10.

	WARNING	
<p><i>The engine cannot be stopped by moving the engine speed control all the way back.</i></p>		

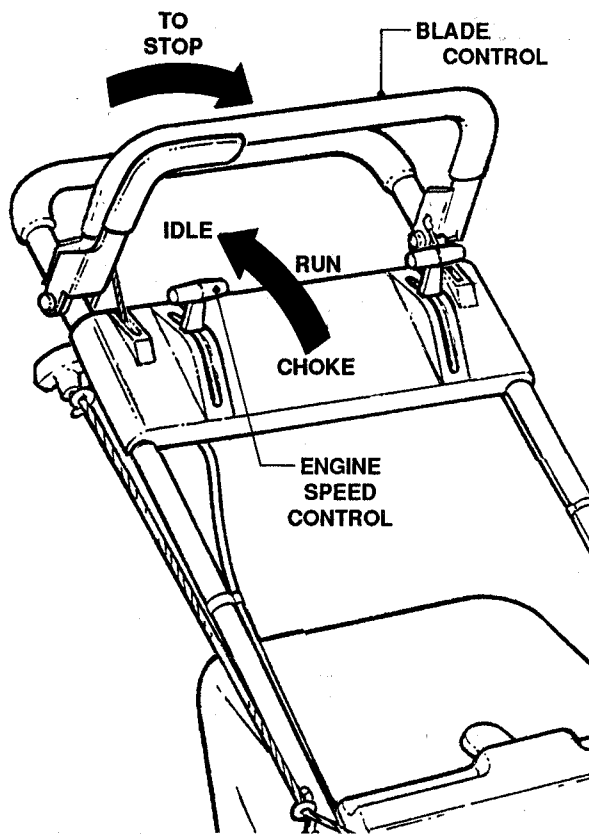


FIGURE 10

OPERATING INSTRUCTIONS

STARTING & STOPPING WHEEL DRIVE

STARTING WHEEL DRIVE

Start engine.

Move traction speed control lever to desired forward speed. See Figure 11.

Pull wheel drive control to handlebar and hold. See Figure 11.

IMPORTANT: DO NOT attempt to change forward speed while the mower is in motion. Release the wheel drive control then move the ground speed control lever to the desired speed.

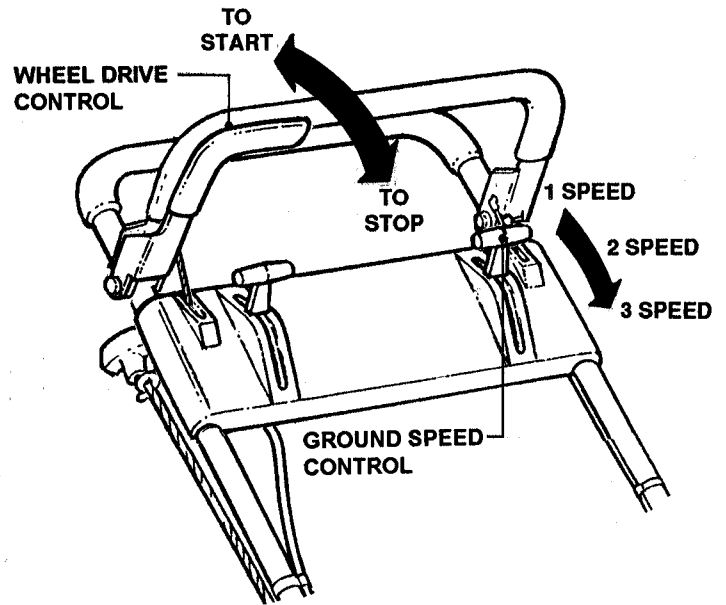


FIGURE 11

STOPPING WHEEL DRIVE

Release wheel drive control. See Figure 11.

SETTING CUTTING HEIGHT

CAUTION
Stop engine and mower blade by releasing the blade control before adjusting cutting height.

Move to right rear tire and pull adjusting handle out until adjusting handle tab is just clear of the slotted plate. See Figure 12.

IMPORTANT: DO NOT flex the adjusting handle outward beyond what is required to change cutting height. Pulling out to far may cause damage to the handle.

Move the adjusting handle towards front of mower for higher cut or toward rear for lower cut. See Figure 12.

The SNAPPER Platinum Series Walk Behind Mower, Series 0, has eleven cutting positions ranging from 1" to 4". See Figure 13.

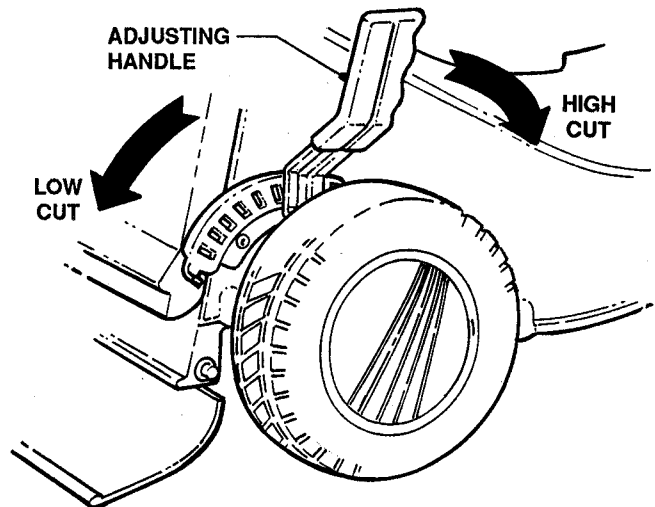


FIGURE 12

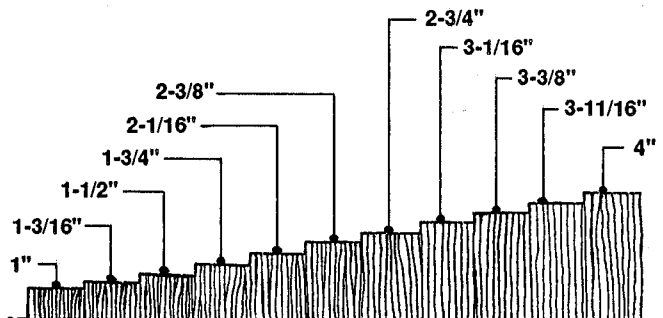


FIGURE 13

OPERATING INSTRUCTIONS

GRASS CATCHER

GRASS CATCHER REMOVAL

Move engine speed control to "IDLE".

Stop engine by releasing engine control.

Remove spark plug wire from spark plug and secure wire away from plug.

Lift Discharge Door.

Grasp grass catcher handle and lift to clear tabs and pull clear of mower. See Figure 14.

Lower Discharge Door.

Dispose of grass clippings properly.

Reinstall grass catcher in reverse order of removal. See Figure 14.

Reinstall spark plug wire onto spark plug and start engine.

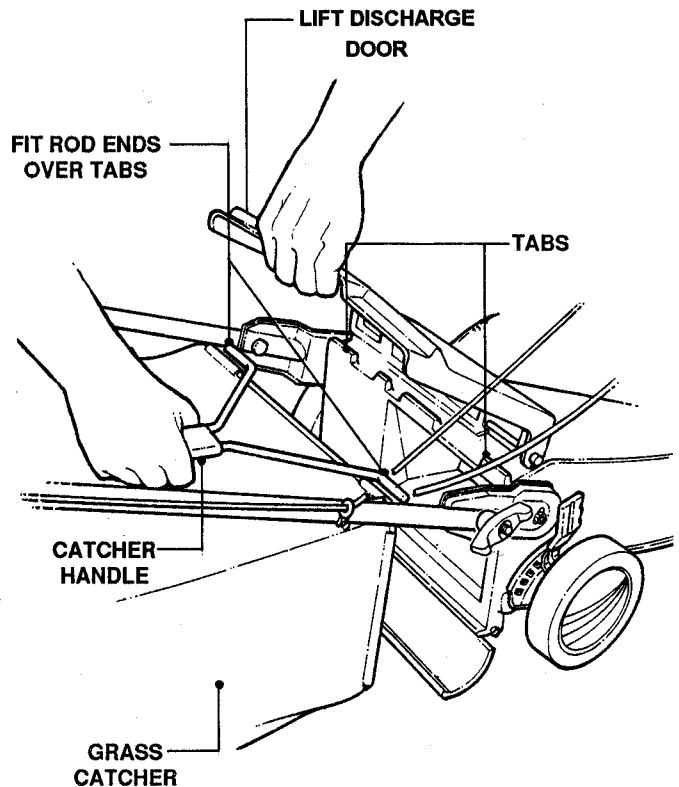


FIGURE 14



WARNING



Never attempt to operate mower without grass catcher, side discharge chute or mulching plug properly in place properly in place.

OPERATING INSTRUCTIONS

MOWING PROCEDURE

For best results, use the following tips when mowing.

When mowing, cut only 1/3 of grass height. Cutting grass shorter could be harmful to your lawn.

If cutting extremely tall grass, make one cutting with the deck in its highest cutting position, then lower deck to desired position and cut a second time.

Mow when lawn is dry.

Mow often. Shorter grass clippings decompose quicker.

Keep mower blades sharp. A dull blade tears and shreds grass instead of cutting. Your SNAPPER dealer can sharpen blades as required.

Alternate mowing pattern to reduce the possibility of grass matting.

Mow with engine speed control in the "RUN" position and the traction speed lever in a slow forward speed.

Clean deck, removing all grass clippings and debris from the top and underside of deck after each use.

AVAILABLE ACCESSORIES

The SNAPPER Platinum Series Self Propelled Walk Mower, Series 0, can be equipped with a variety of accessories that increase its versatility. The accessories available for each model are listed in the chart below. Contact an authorized SNAPPER dealer for ordering any of the accessories desired.

MOWER MODEL	SIDE DISCHARGE CHUTE KIT	MULCHING KIT
LP21550	6-1397	6-1398
LP21550V	6-1397	6-1398
NLP21550	6-1397	6-1398
ELP21500KWV	6-1397	6-1398
LP21600	6-1397	--
ELP21550KWV	6-1397	--
ELP21600	6-1397	--

TROUBLESHOOTING

PROBLEM	PROBABLE CAUSE	CORRECTIVE ACTION	REF.
ENGINE WILL NOT START	1. Blade/engine control in released position.	1. Move blade/engine control to handlebar.	Pg. 7/8
	2. Fuel tank empty.	2. Fill fuel tank with fresh fuel.	Pg. 6
	3. Engine needs priming or choking.	3. Prime/Choke engine.	Pg. 7/8
	4. Spark plug wire disconnected	4. Place spark plug wire onto spark plug.	Engine Man.
ENGINE STALLS AFTER OR ENGINE LOSES POWER	1. Blade/engine control released.	1. Pull blade/engine control to handlebar and restart engine.	Pg. 7/8
	2. Fuel tank empty.	2. Refill fuel tank with fresh fuel.	Pg. 6
	3. Engine air cleaner dirty.	3. Clean or replace filter.	Engine Man.
	4. Spark plug defective or gap set improperly.	4. Service spark plug.	Engine Man.
	5. Water, debris or stale fuel in fuel system.	5. Drain and clean fuel system.	Engine Man.
	6. Excessive load on engine.	6. Lessen load.	—
	7. Engine oil level low.	7. Fill with engine oil to proper level.	Pg. 6
	8. Engine cooling fins and air screens excessively dirty.	4. Clean free of all dirt and debris.	Engine Man.
ENGINE BACKFIRES WHEN ENGINE IS STOPPED	1. Engine speed control set in "RUN" position.	1. Set engine speed control to "IDLE" and allow engine to idle. Then, release blade/engine control.	Pg. 7/8
EXCESSIVE VIBRATION	1. Damaged or bent mower blade.	1. Service mower blade.	Pg. 15-17
	2. Loose blade components.	2. Service blade and tighten loose parts.	Pg. 15-17
CUTTING GRASS IMPROPERLY	1. Cutting height too low or high.	1. Adjust cutting height.	Pg. 9 & 11
	2. Engine speed too slow.	2. Move engine speed control to "RUN".	Pg. 11
	3. Forward speed too fast.	3. Set forward speed slower.	Pg. 11
POOR GRASS DISCHARGE	1. Engine speed too slow.	1. Move engine speed control to "RUN".	Pg. 11
	2. Forward speed too fast.	2. Set forward speed slower.	Pg. 11
	3. Grass is wet.	3. Mow when grass is dry.	Pg. 11
	4. Excessively worn or damaged blade.	4. Service mower blade.	Pg. 15-17
	5. Build-up of grass clippings and debris under deck.	5. Clean deck.	Pg. 15
	6. Improper blade installed on deck.	6. Install proper SNAPPER blade.	Pg. 13, 15-17
	7. Blade installed improperly on deck.	7. Install blade properly.	Pg. 15-17
MOWER LOSES TRACTION	1. Traction control released.	1. Pull traction control to handlebar.	Pg. 9
	2. Traction drive belt worn or broken.	2. Replace belt.	Pg. 17-18
	3. Traction clutch requires adjustment.	3. Adjust traction clutch.	Pg. 19

MAINTENANCE INSTRUCTIONS

SERVICE SCHEDULE

ITEM	SERVICE PERFORMED	REF.	EACH USE	5 HRS	25 HRS	50 HRS	100 HRS	EACH SEASON
Engine Oil	Check Oil Level	Page 6	X					
	Initial Oil Change	Page 14		X				
	Periodic Oil Change	Page 14			X*			
Air Cleaner	Clean or Replace	Engine Manual			X**			
Spark Plug	Replace	Engine Manual					X	
Engine Cooling System	Clean Shroud & Fins	Engine Manual				X**		
Drive Belts	Check For Wear And Tension	Pages 17-18				X		X
Mower Blade	Check For Wear, Damage & Replacement	Page 15	X					
Mower Deck	Clean Debris Accumulation	Page 15	X					
Traction Clutch	Check Clutch Adjustment	Page 19			X			X

* Change oil every 25 hours when operating under heavy load or high temperatures.

**Clean more often under dusty conditions or when air debris is present

MAINTENANCE PARTS

MOWER MODEL	BELT	BLADES	
	TRACTION DRIVE	GRASS BAGGING	BAGGING / MULCHING
LP21550	2-4750	2-6427	2-6428
LP21550V	2-4750	2-6427	2-6428
NLP21550	2-4750	2-6427	2-6428
ELP21500KWV	2-4750	2-6427	2-6428
LP21600	2-4750	2-6427	2-6428
ELP21550KWV	2-4750	2-6427	2-6428
ELP21600	2-4750	2-6427	2-6428

MAINTENANCE INSTRUCTIONS

CHANGING ENGINE OIL

Move mower to a firm, level surface.

Stop engine.

Remove spark plug wire from spark plug and secure wire away from plug.

Remove grass catcher.

Raise front of mower to stand mower on rear wheels.

Place a 2 quart capacity, flat container under mower deck.

Remove oil plug. See Figure 15.

Lower front wheels to ground and allow oil to drain into container.

Lift front of mower and replace oil plug.

Fill engine with new oil as specified in Engine Owner's Manual.

TILT MOWER UP
ON ITS BACK
WHEELS!

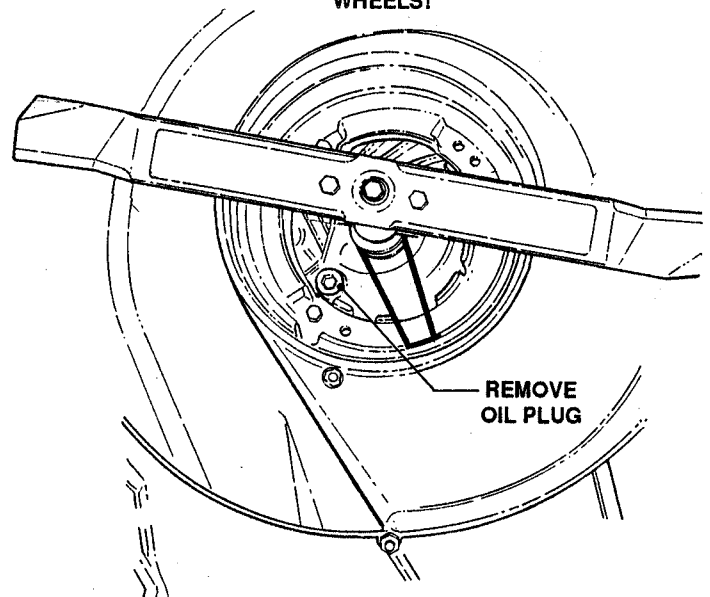


FIGURE 15

MOWER SERVICE

The components listed should be serviced on a regular basis to insure that they are in top working condition. Refer to SERVICE SCHEDULE on Page 13 for recommended service intervals.

ENGINE AIR CLEANER

The engine air cleaner element should be removed and replaced every 25 operating hours. See Figure 16 and refer to the engine owner's manual. Contact engine manufacturer's dealer for correct replacement air cleaner element.

SPARK PLUG

Remove and replace engine spark plug after 100 operating hours or each season, whichever comes first. Refer to Engine Owner's Manual for correct replacement plug and gap specifications.

ENGINE COOLING SYSTEM

The engine cooling system consists of an engine shroud and engine fins. These should be kept clean and free of debris as needed or clean at least every 50 operating hours.

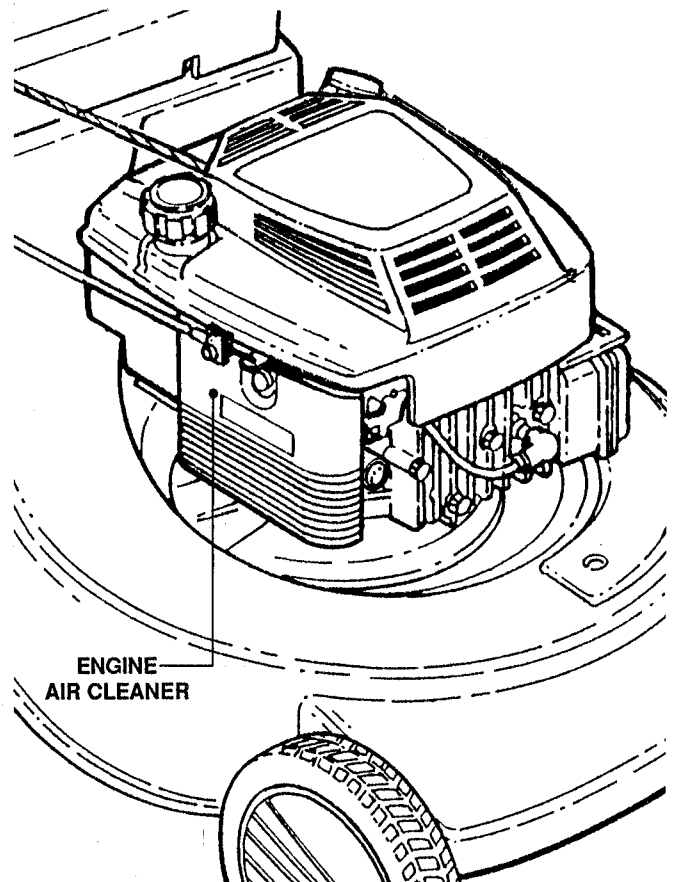


FIGURE 16

MAINTENANCE INSTRUCTIONS

MOWER SERVICE Continued

MOWER DECK

The mower deck should be cleaned after each use as follows:

Stop engine, remove spark plug wire from spark plug and secure wire away from plug.

Remove the grass catcher bag.

Stand mower on rear wheels and scrape off all accumulation of grass clippings and debris from the underside of the deck.

Using a garden hose wash the underside of the deck.

Lower mower to ground and remove the drive belt/tie rod cover. See Figure 17.

Clean out all debris and wash out with garden hose. After cleaning is complete reinstall cover and place spark plug wire onto spark plug.

IMPORTANT: When washing, do not allow any water to reach the top of the transmission. This could cause extensive damage to the internal transmission components.

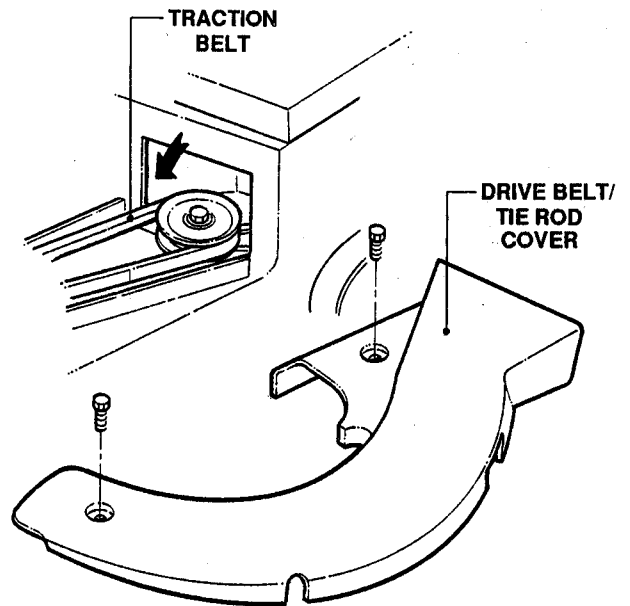


FIGURE 17

MOWER BLADE SERVICE

BLADE WEAR LIMITS

The mower blade should be checked frequently for signs of excessive wear and damage. Figure 18 illustrates the wear limits of the mower blade. Service the blade as often as necessary to insure optimum cutting performance. Refer to Service Schedule on page 13.

BLADE REMOVAL/REPLACEMENT

Move mower to a firm, level surface.

Stop engine.

Remove spark plug wire from spark plug and secure wire away from plug.

Remove grass catcher.

Stand mower on rear wheels.

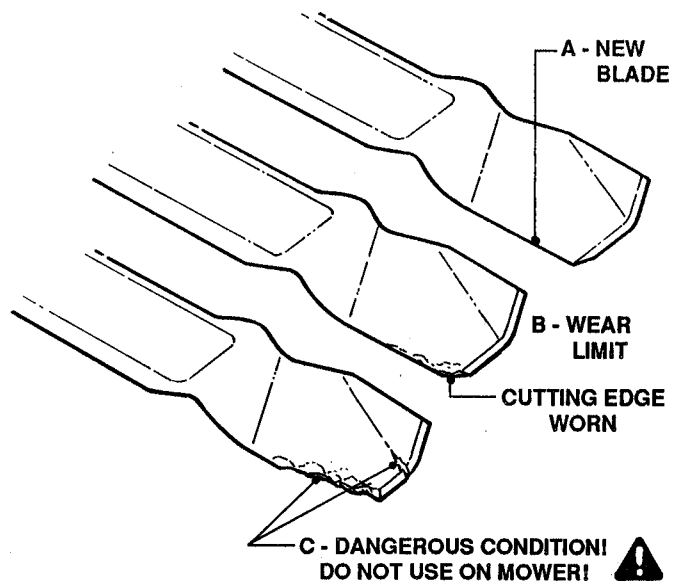


FIGURE 18

MAINTENANCE INSTRUCTIONS

MOWER BLADE SERVICE Continued

Remove the two blade mounting screws and nylon lock nuts. See Figure 19.

Remove blade and inspect for excessive wear and damage. Refer to Figure 18 for blade wear limits.



WARNING



Never use a blade that shows signs of excessive wear or damage. Refer to Figure 18 for blade wear limits.

Install new blade, refer to the Maintenance Parts chart on page 13 for the appropriate blade part number, onto blade hub. See Figure 20.



CAUTION



Install blade with flanges down. See Figure 20 for proper installation.

Install blade mounting screws and new nylon lock nuts, part number 7-6979. See Figure 20.

Torque blade mounting screws and nuts to 30-37 ft. lbs.

Lower front of mower to ground.

Install grass catcher.

Place spark plug wire onto spark plug.

SHARPENING MOWER BLADE

Move mower to a firm, level surface.

Stop engine.

Remove spark plug wire from spark plug and secure wire away from plug.

Remove grass catcher.

Stand mower on rear wheels.

Remove the two blade mounting screws and nylon lock nuts. See Figure 19.

Remove blade and inspect for excessive wear and damage. Refer to Figure 18 for blade wear limits.

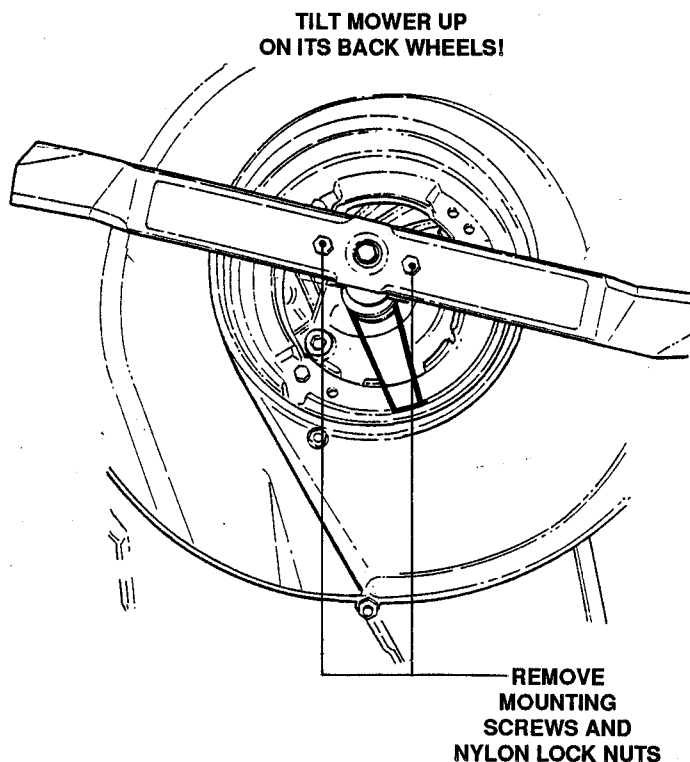


FIGURE 19

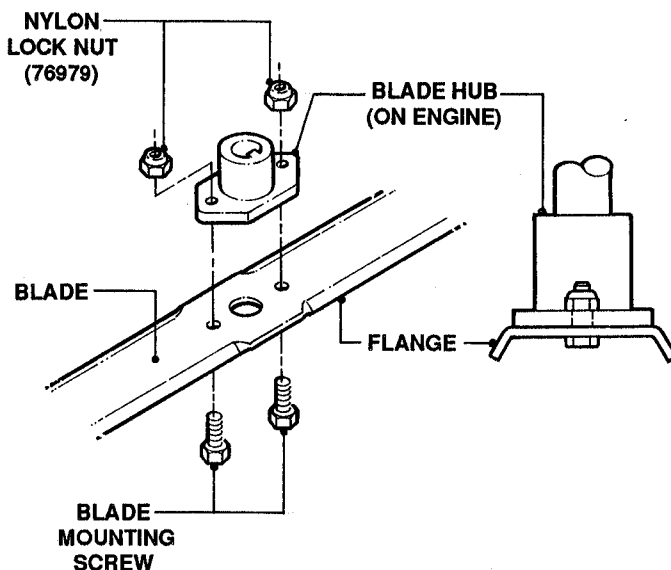


FIGURE 20

MAINTENANCE INSTRUCTIONS

MOWER BLADE SERVICE Continued



WARNING



Never use a blade that shows signs of excessive wear or damage. Refer to Figure 18 for blade wear limits.

Sharpen mower blade at 25° angle. Grind bottom of blade to sharpen. See Figure 21.

Check balance of blade. Grind heavy end of blade to achieve balance.

NOTE:

Blade balancers are available and should be used according to the manufactures instructions.

Install blade onto blade hub. See Figure 22.



CAUTION



Install blade with flanges down. See Figure 22 for proper installation.

Install blade mounting screws and nylon lock nuts. See Figure 22.

Torque blade mounting screws and nuts to 30-37 ft. lbs.

Lower front of mower to ground.

Install grass catcher.

Place spark plug wire onto spark plug.

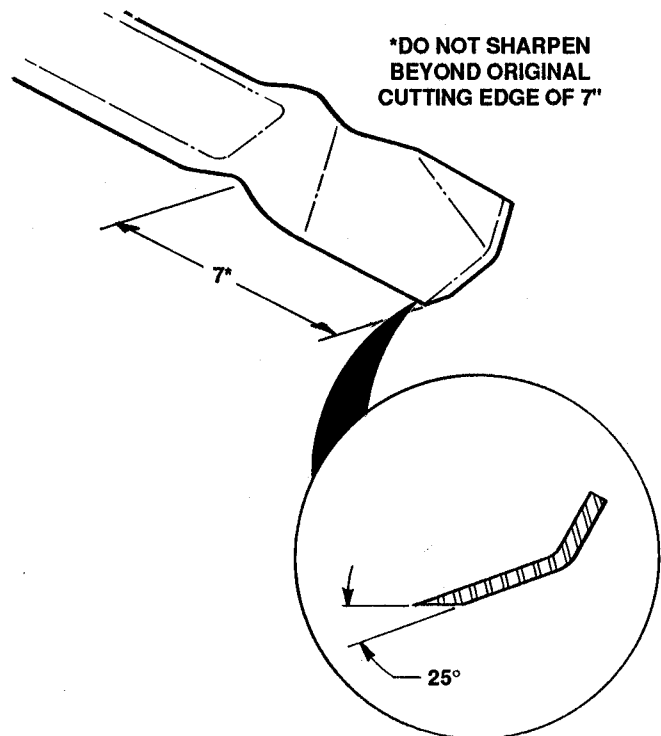


FIGURE 21

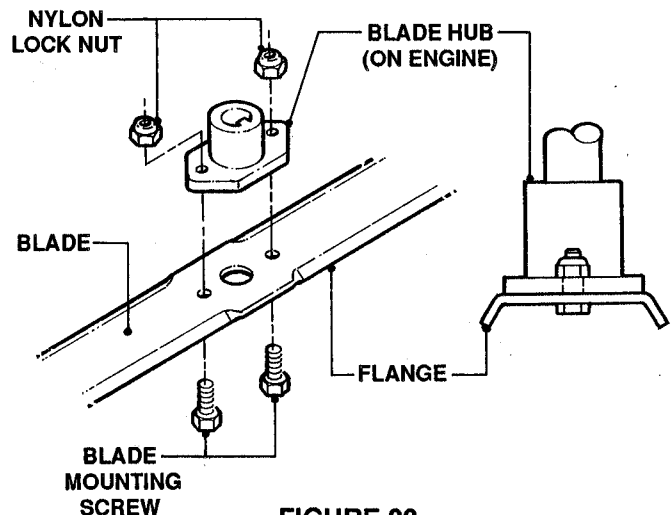


FIGURE 22

TRACTION DRIVE BELT

Check the traction drive belt every 25 operating hours for signs of excessive wear and or damage. Replace the belt as necessary.

TRACTION DRIVE BELT REMOVAL

Stop Engine by releasing the blade/engine control.

Remove spark plug wire from spark plug and secure wire away from plug.

MAINTENANCE INSTRUCTIONS

TRACTION DRIVE BELT Continued

Remove the two retaining screws from the drive belt/tie rod cover and remove cover. See Figure 23.

Remove grass catcher.

Stand mower on rear wheels.

Remove the blade mounting screws and nylon lock nuts from blade. See Figure 24.

Remove blade.

Roll old belt off of engine pulley.

Remove old belt from transmission pulley. Discard old belt.

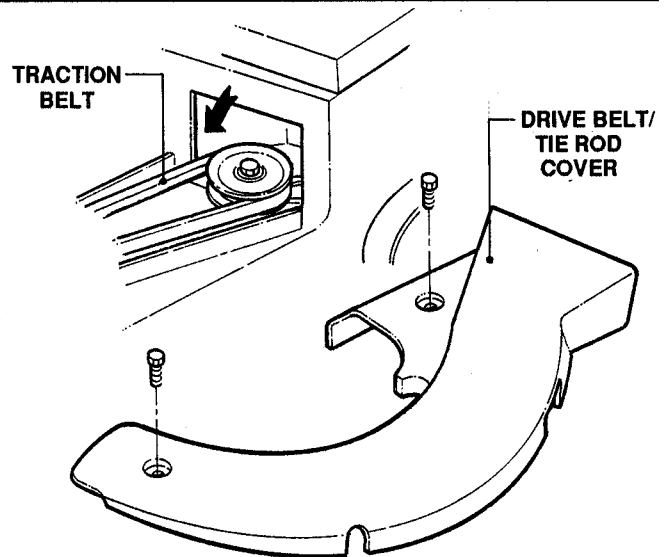


FIGURE 23

TRACTION DRIVE BELT REPLACEMENT

Place new belt into engine pulley and route through the deck housing to the transmission pulley. See Figure 24.

Carefully roll new belt onto transmission pulley.

Install mower blade onto blade hub with flanges down. See Figure 25.

Install blade mounting screws and nylon lock nuts. See Figure 25.

Torque blade mounting screws and nylon lock nuts to 30-37 ft. lbs.

Replace drive belt/tie rod cover and secure with the two retaining screws.

Place spark plug wire onto spark plug.

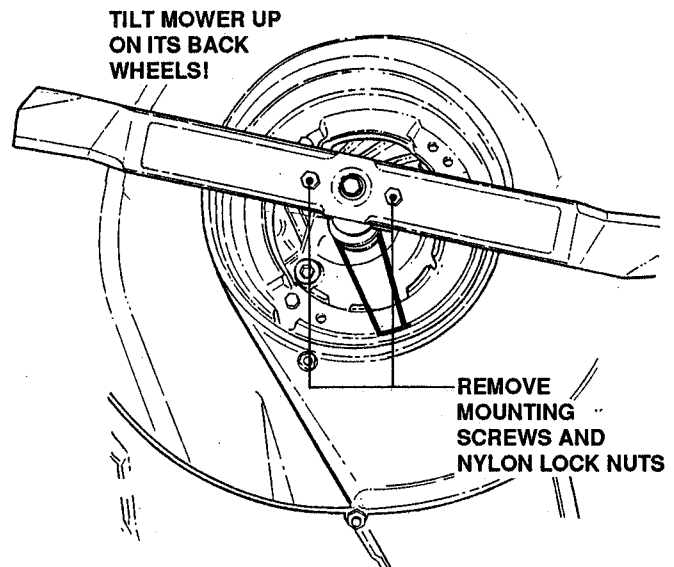


FIGURE 24

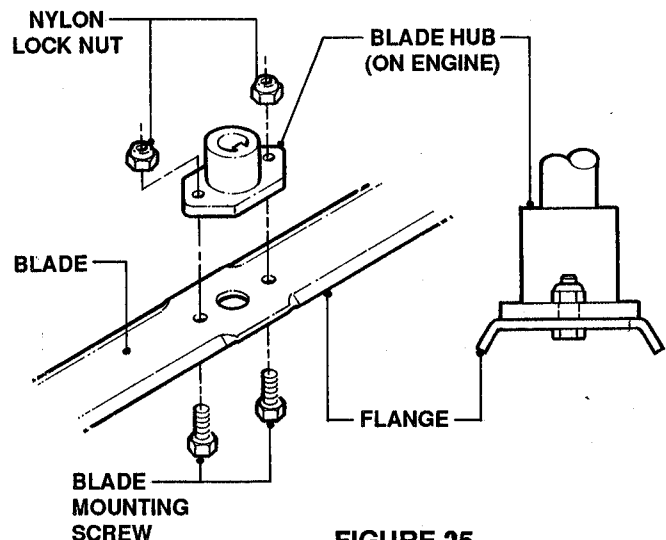


FIGURE 25

MAINTENANCE INSTRUCTIONS

TRACTION CLUTCH ADJUSTMENT

Should a loss of traction (Self-Propelling) be experienced and the traction drive belt is in good condition, test and adjust the traction clutch as follows:

TESTING THE TRACTION CLUTCH ADJUSTMENT

Stop the engine, remove the spark plug wire from the spark plug and secure wire away from plug.

Hold the blade/engine control against the handlebar. See Figure 26.

Pull the wheel drive control toward the handlebar until all slack is removed from cable and a slight resistance is felt.

Visually check the alignment of the 1/8" diameter holes in the blade control and wheel drive control. See Figure 27.

If the hole in wheel drive control is above or below the hole in the blade control, continue with adjustment.

TRACTION CABLE ADJUSTMENT

Locate the wheel drive cable turnbuckle located in line on the cable approximately half way down the right leg of the handlebar. See Figure 28.

Should the hole in wheel drive control be below the hole in the blade control, rotate the center section of the turnbuckle counter clockwise (as viewed from the operator's position). If the hole in wheel drive control is above the hole in the blade control rotate the turnbuckle clockwise (as viewed from the operator's position). See Figure 28.

NOTE:

Rotate the center section of the turnbuckle one complete rotation for each 1/2 of hole adjustment required.

Continue adjustment of the turnbuckle until holes are fully in alignment with each other. See Figure 27.

Place spark plug wire onto spark plug and start engine.

NOTE:

If the mower "creeps" when the wheel drive control is released, the traction cable is too tight and the turnbuckle should be rotated clockwise until all "creeping" is eliminated.

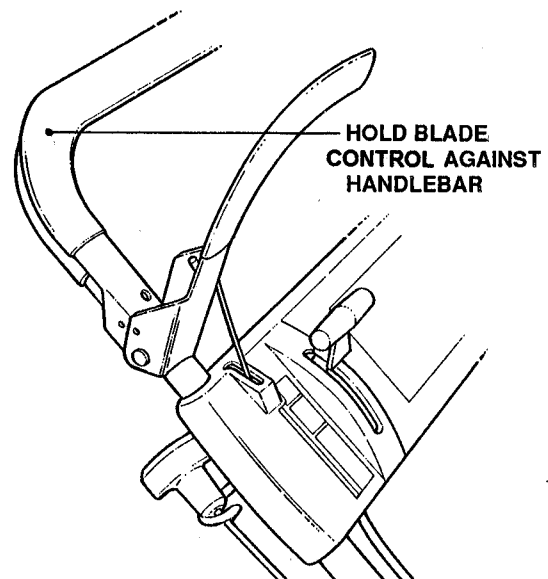


FIGURE 26

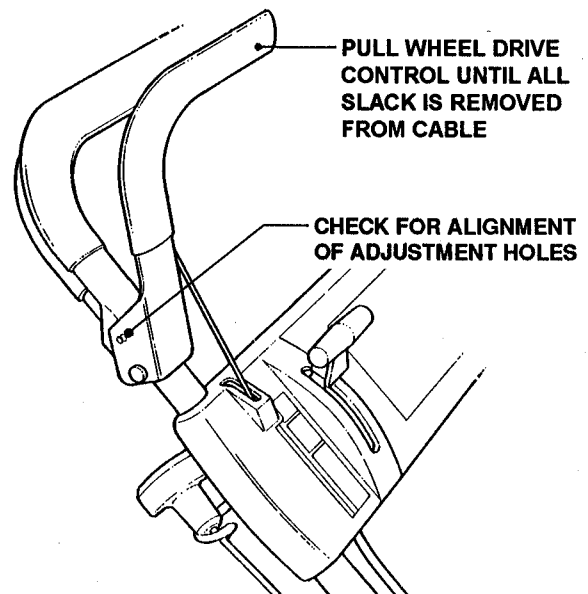


FIGURE 27

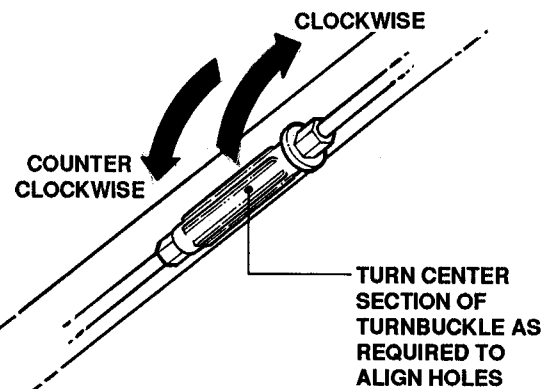


FIGURE 28

MAINTENANCE INSTRUCTIONS

END OF SEASON STORAGE

Prepare the SNAPPER Platinum Series Self Propelled Walk Mower, Series 0, for end of season storage as follows:

Drain fuel from fuel tank. Start engine and run until engine runs out of fuel.

Change engine oil. Refer to Page 14.

Clean or Change engine air filter. Refer to engine owner's manual.

Remove grass catcher and empty all contents to prevent decay and mold. The grass catcher may be washed in detergent, rinse thoroughly and allow to completely dry to prevent molding.

Remove traction/belt tie rod cover. See Figure 29.

Clean out all debris from areas concealed by the traction belt/tie rod cover.

Clean underside of deck free of all grass accumulation using a brush and scraper. Refer to page 15.

Wash down entire mower and allow to dry.

IMPORTANT: When washing, do not allow any water to reach the top of the transmission. This could cause extensive damage to the internal transmission components.

Reinstall the traction belt/tie rod cover and secure with the two retaining screws. See Figure 29.

Loosen handle knobs connecting handlebar to the handlebar support. See Figure 30.

Move all cables above knobs.

Carefully fold handlebar over engine. Move mower to desired storage site.

IMPORTANT: Be careful not to allow cables to hang up or become kinked when folding handles.

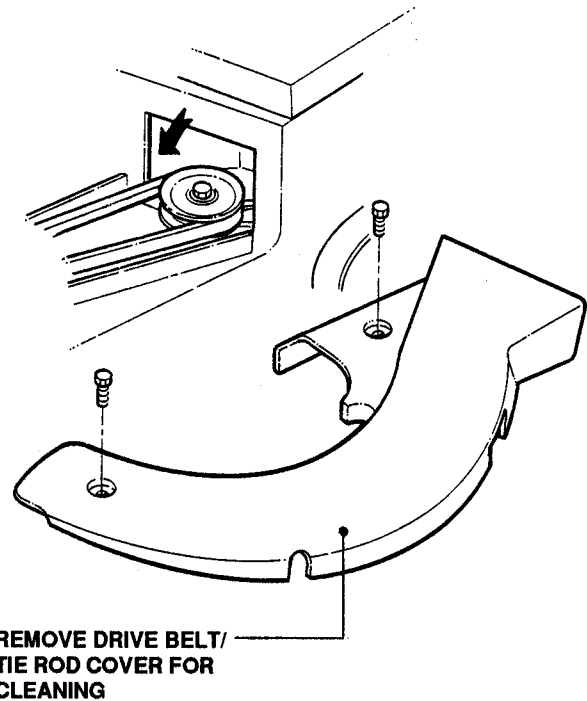


FIGURE 29

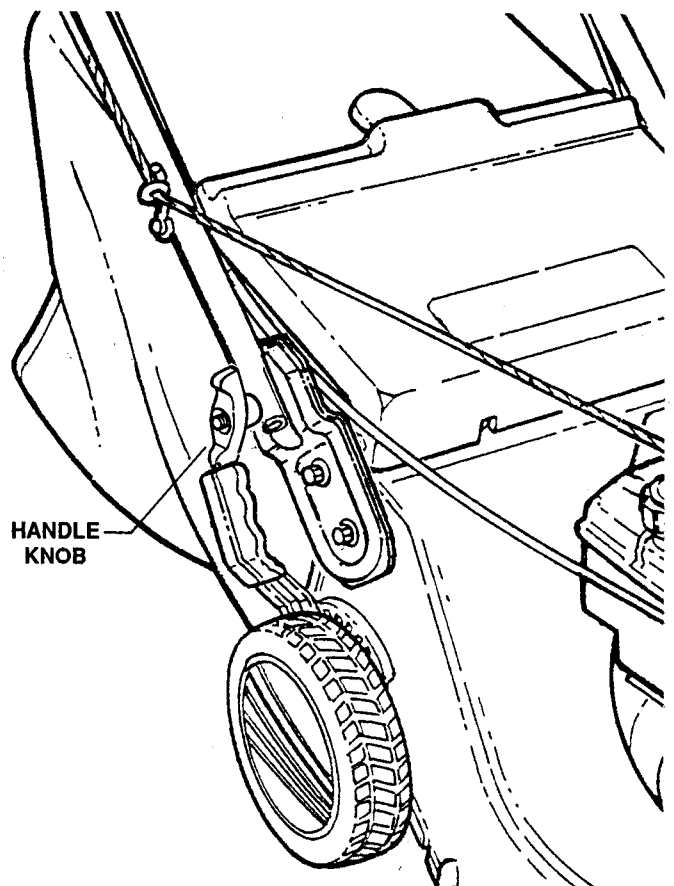


FIGURE 30

WARRANTY

SNAPPER® 2 YEAR LIMITED WARRANTY

For two (2) years from purchase date for the original purchaser's residential, non-commercial use, SNAPPER, through any SNAPPER dealer will replace, free of charge (except for taxes where applicable), any part or parts found upon examination by the factory at McDonough, Georgia, to be defective in material or workmanship or both.

For ninety (90) days from purchase date for the original purchaser's commercial, rental, or other non-residential use, SNAPPER, through any SNAPPER dealer will replace, free of charge, any part or parts found upon examination by the factory at McDonough, Georgia, to be defective in material or workmanship or both.

All transportation costs incurred by the purchaser in submitting material to a SNAPPER dealer for replacement under this warranty must be paid by the purchaser.

This warranty does not apply to engines and their components, hydro transmissions, gear drive transmissions and batteries, as these items are warranted separately. This warranty does not apply to parts that have been damaged by accident, alteration, abuse, improper lubrication, normal wear, or other cause beyond our control.

There is no other express warranty.

Implied warranties, including those of merchantability and fitness for a particular purpose, are limited to two (2) years from purchase date for the original purchaser's residential, non-commercial use [ninety (90) days from purchase for the original purchaser's commercial, rental or other non-residential use], and to the extent permitted by law, any and all implied warranties are excluded. This is the exclusive remedy. Liabilities for consequential damages, under any and all warranties are excluded.

Some states do not allow limitations on how long an implied warranty lasts, or do not allow the exclusion or limitation of incidental or consequential damages, so the above limitation or exclusion may not apply to you.

This warranty gives you specific legal rights, and you may also have other rights which vary from state to state.

WARNING: THE USE OF REPLACEMENT PARTS OTHER THAN GENUINE SNAPPER PARTS MAY IMPAIR THE SAFETY OF SNAPPER PRODUCTS AND WILL VOID ANY LIABILITY AND WARRANTY BY SNAPPER ASSOCIATED WITH THE USE OF SUCH PARTS.

IMPORTANT: Please fill out the attached SNAPPER Product Registration Card immediately and mail to:
SNAPPER, McDONOUGH, GEORGIA 30253



**Yvan Béal - 21, av. de l'Agriculture - B.P 16
Z.I. du Brézet - 63014 Clermont-Ferrand Cedex 2
Tél : 04 73 91 93 51 - Télécopie : 04 73 90 23 11
www.yvanbeal.fr - E-mail : info@yvanbeal.fr
R.C.S. B 304 973 886 - S.A.S. au capital de 612 000 €**