



NOTICE D'EMPLOI

Cabine chasse-neige



**SNOW CAB
1687244**



Yvan Béal - 21, av. de l'Agriculture - B.P. 16
Z.I. du Brézet - 63014 Clermont-Ferrand Cedex 2
Tél : 04 73 91 93 51 - Télécopie : 04 73 90 23 11
www.yvanbeal.fr - E-mail : info@yvanbeal.fr
R.C.S. Clermont-Fd B 304 973 886 S.A.S. au capital de 612 000 €

TP 744-04

01-000340-070321

SNOW CAB #1687244

KEY#	PART#	QTY	DESCRIPTION
1	9743	1	Bracket Mount, RH
2	9744	1	Bracket Mount, LH
3	20096	2	Mounting Plate
4	20101	1	Bracket, RH
5	20102	1	Bracket, LH
6	2226	2	1 1/16" U-clamp
7	2389	1	Horizontal Curved Bow
8	4977	2	Front Posts
9	4968	1	Rear Vertical Bow
10	2230	1	Top Frame
11	9758	1	Light Bracket Extension
12	20105	2	"Z" Bracket
13	9742-B	1	Vinyl Cover
	25032	1	Counter Weight Kit
	9741	1	Hardware Package (contents listed below)
	730	12	1/4"-20 Two Way Lock Nut
	788	10	1/4"-20 x 3/4" Bolt
	926	4	1/4"-20 x 1" Bolt
	6654	4	1/4"-20 x 1 3/4" Bolt
	5144	2	1/4"-20 x 2 3/4" Bolt
	1514	2	1/4" Flat Washer
	4556	4	1/4" Fender Washer
	7929	2	1/4" Plastic Cap
	785	3	5/16"-18 x 1" Bolt
	2945	3	5/16"-18 Hex Nut
	7	3	5/16" Lock Washer
	317	2	5/16" Flat Washer
	60138	2	5/8" O.D. x 2" Spacer

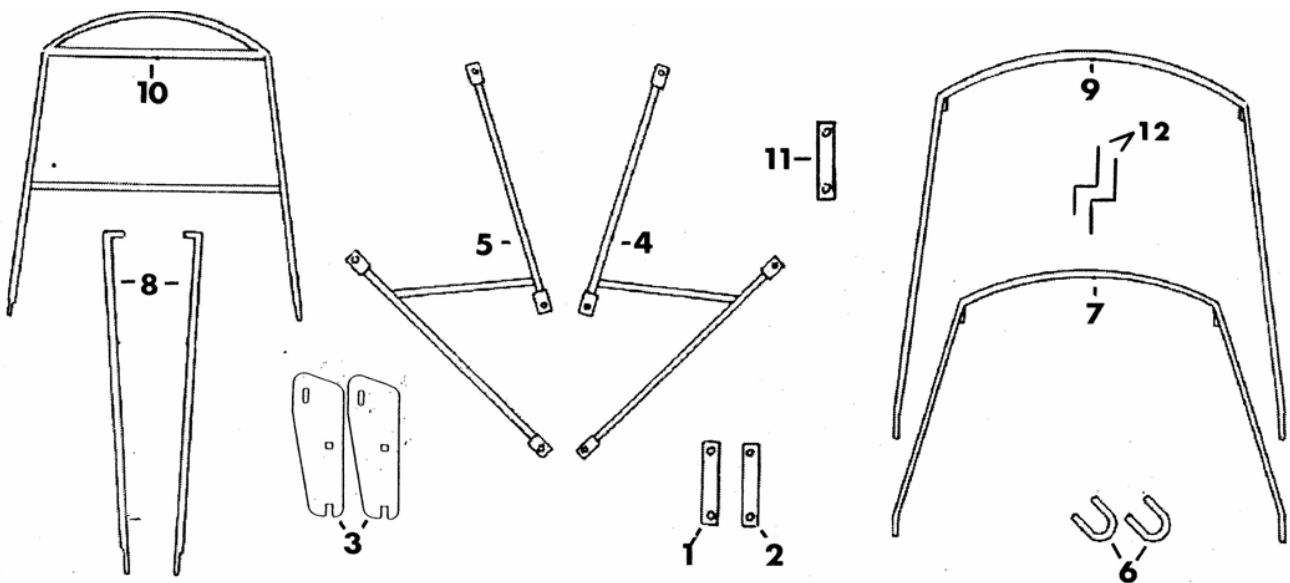


Figure 1

Step 1; See Figure 1:

Identify all of the metal parts using Figure 1 as an example.

NOTICE: This Snow Cab is for the following types of Snow Thrower handlebars. Use these descriptions and illustrations to determine your handlebar type.

For Commercial Duty Models

Install Bracket Mount R & L (1 & 2) and Light Bracket Extension (11)

Step 2; See Figure 2:

A. Remove the bolts at Reference A. Remove light from bracket if so equipped. Place the left Bracket Mount on the handle bar and replace the bolts.

B. Place the right Bracket Mount on the handle bar and place the light mount over it and secure with two 1/4" x 1" bolts & nuts.

C. Use a 5/16" x 1" bolt, lock washer and nut to attach the Light Bracket Extension as shown.

D. Attach the light to the Light Bracket extension.

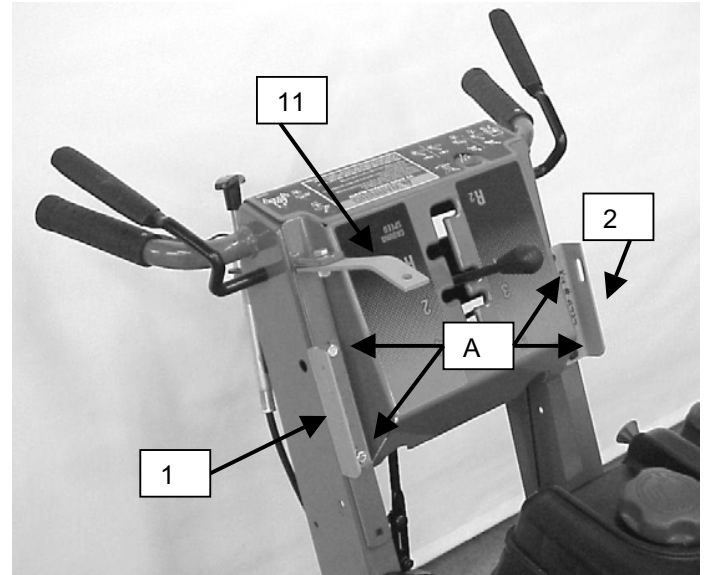


Figure 2

Step 2; See Figure 3:

Install Brackets Right & Left (4 & 5)

D. Place the right Bracket on the side of the handle bar as shown. Insert a 5/16" x 1" bolt into the Bracket. Insert bolt through Bracket mount at Reference D. Secure with 5/16" flat washer, lock washer and nut.

E. Use a 1/4" x 3/4" bolt and nut at Reference E.

F. Tighten all bolts.

NOTE: When cab is installed on newer models with chute cleaning stick the upper stick holder must be moved back to the rearmost hole in the side of the handlebar.

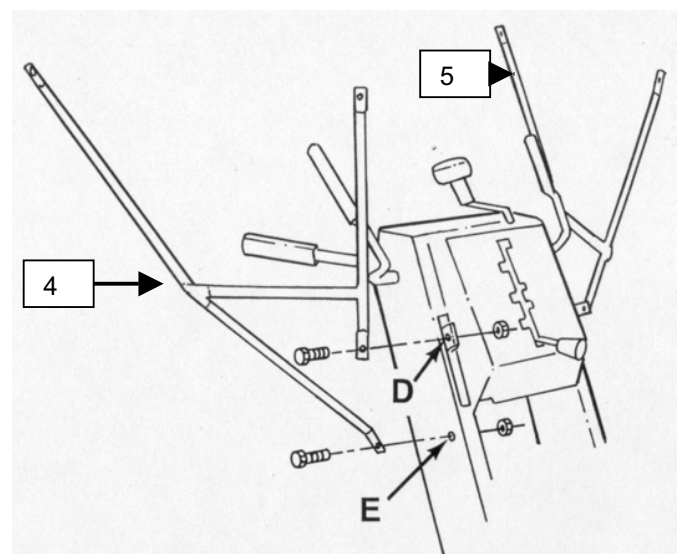


Figure 3

**For Intermediate Models
(With non-folding handlebars)**

Install U Clamps (6) and Brackets Right & Left (4 & 5)

Step 2; See Figure 4 & 5:

A. Remove the bolts at Ref. B. on both sides of the handlebars.

B. Insert a 1/4" x 1 3/4" bolt into the Bracket. Insert the bolt into the holes at Reference B. Add nuts do not tighten.

C. Place a U Clamp open end to rear on handlebars. Insert 1/4" x 1 3/4" bolts, add lock nuts and tighten all bolts.

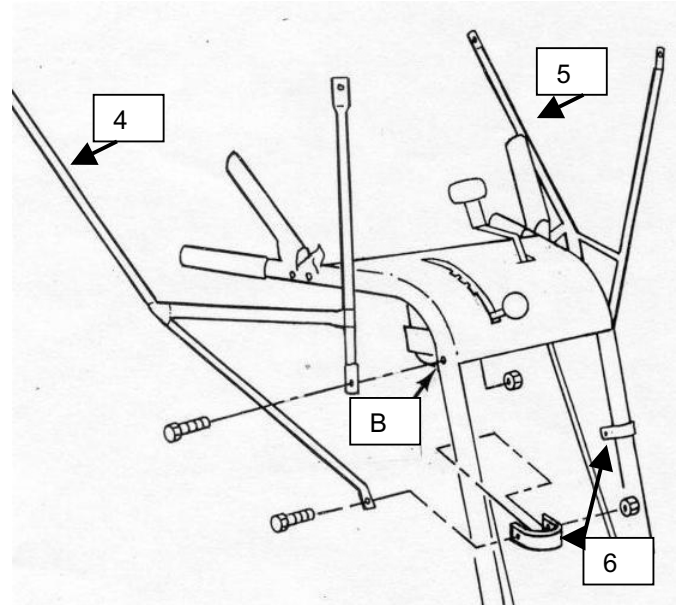


Figure 4

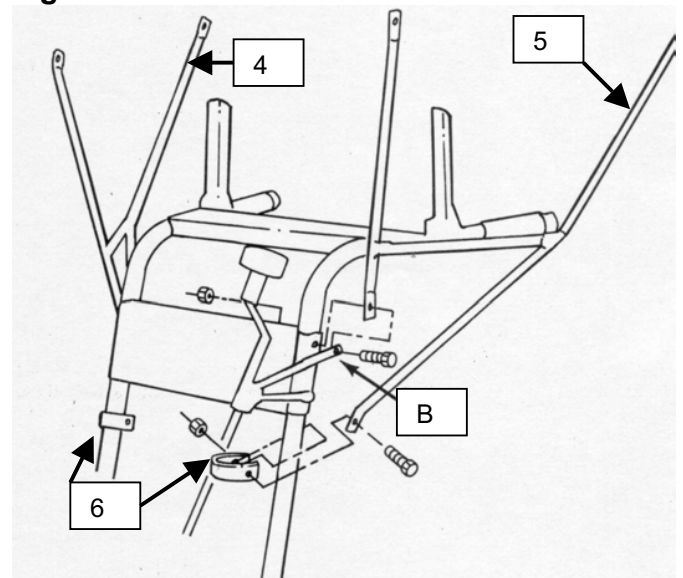


Figure 5

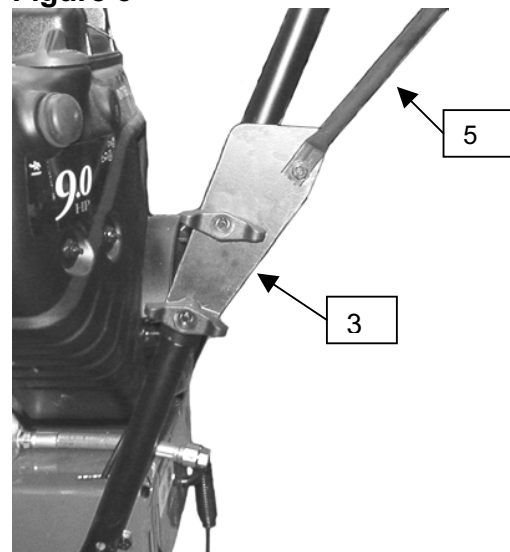


Figure 6

⚠ WARNING

POTENTIAL HAZARD

- Improper assembly may result in interference with the operator present controls

WHAT CAN HAPPEN

- Serious injury could occur if the controls will not disengage.

HOW TO AVOID THE HAZARD

- Make certain that the assembly does not effect movement of the controls.

**For Intermediate Models
(With folding handlebars)**

Install Mounting Plates (3) and Brackets Right & Left (4 & 5)

Step 2; See Figures 4, 5 & 6:

A. Remove the upper wing nut and loosen the lower wing nut on the left side of the handlebar. Insert the notched end of the mounting plate under the lower wing nut. Place the square hole over the upper bolt. Replace the upper wing nut and tighten both wing nuts.

B. Attach the lower end of the left bracket to the plate with 1/4" x 3/4" bolt, 1/4" flat washer over the slot and a 1/4" locknut.

C. Insert a 1/4" x 1 3/4" bolt into the holes at Reference B. Add nuts do not tighten. Repeat the above steps on the right side.

For 2006 and up Models with Joy Stick Chute Control

Step 2; See Figures 7 & 8:

Install Mounting Plates (3) and Brackets Right & Left (4 & 5)

A. Install the mounting plates as described in the previous step.

B. Attach the lower end of the left bracket to the plate with 1/4" x 2 3/4" bolt, 5/8" OD x 2" spacer, 1/4" flat washer over the slot and a 1/4" locknut. Do not tighten at this time.

C. Remove the bolts at Reference C. Place the bracket against the control panel and replace the bolts. Do not tighten at this time.

Note: On models with headlight the tab on the bracket is placed between the light and the control panel.

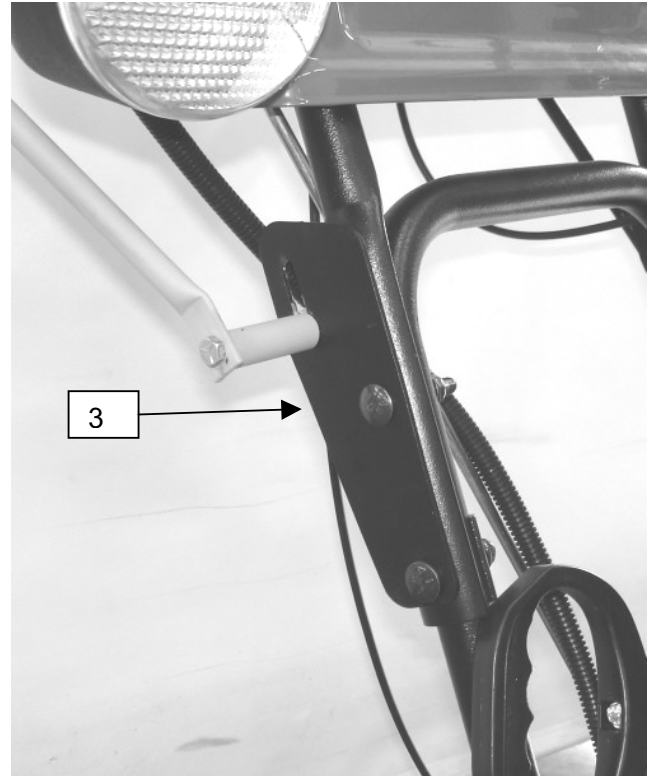


Figure 7

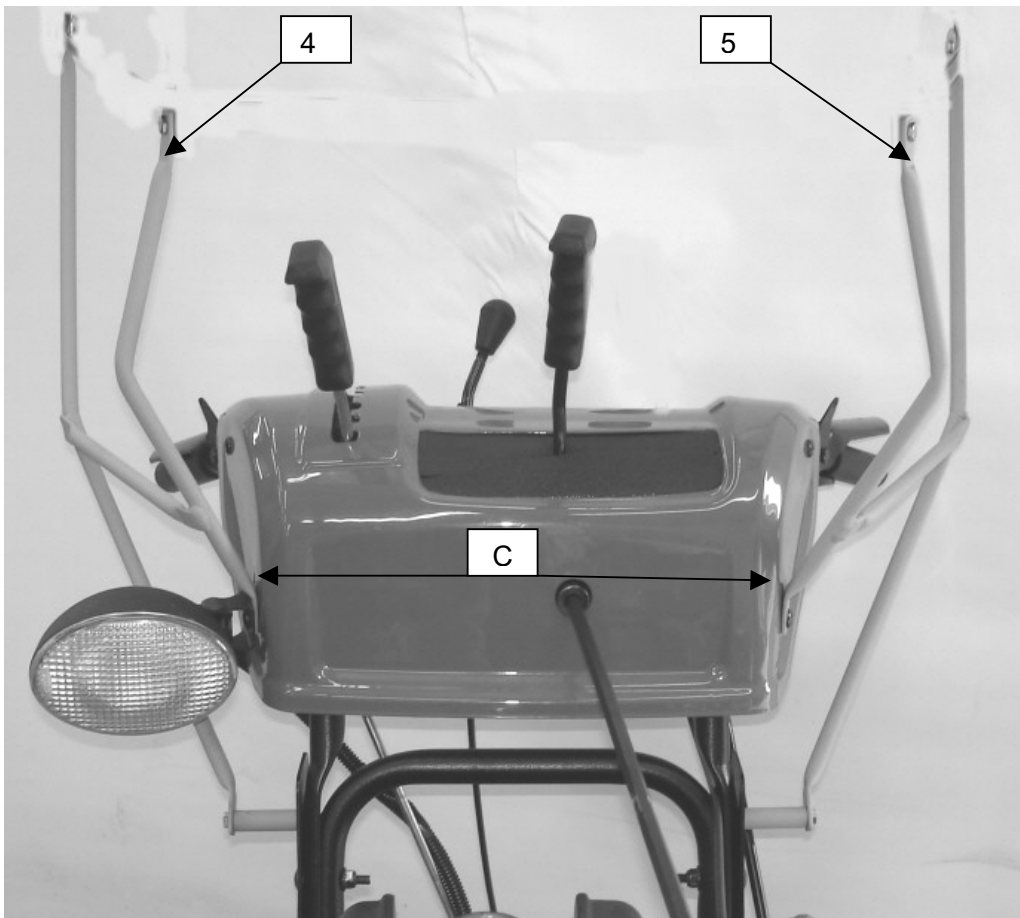


Figure 8

For 2006 & Up Models with Chute Control Crank

Step 2; See Figures 9, 10 & 11:

Install Mounting Plates (3), Z Brackets (12), and Brackets Right & Left (4 & 5)

- A.** Install the mounting plates with slots forward as shown in Figure 9.
- B.** Attach the lower end of the left bracket to the plate with 1/4" x 2 3/4" bolt, 5/8" OD x 2" spacer, 1/4" flat washer over the slot and a 1/4" locknut. Do not tighten at this time.
- C.** Remove the bolts at Reference C. Place the "Z" bracket against the control panel and replace the bolts. Do not tighten at this time.
- D.** Use two 5/16" x 1" bolts and 5/16" nuts & lock washers to fasten the Brackets (4 & 5) to the "Z" Brackets.

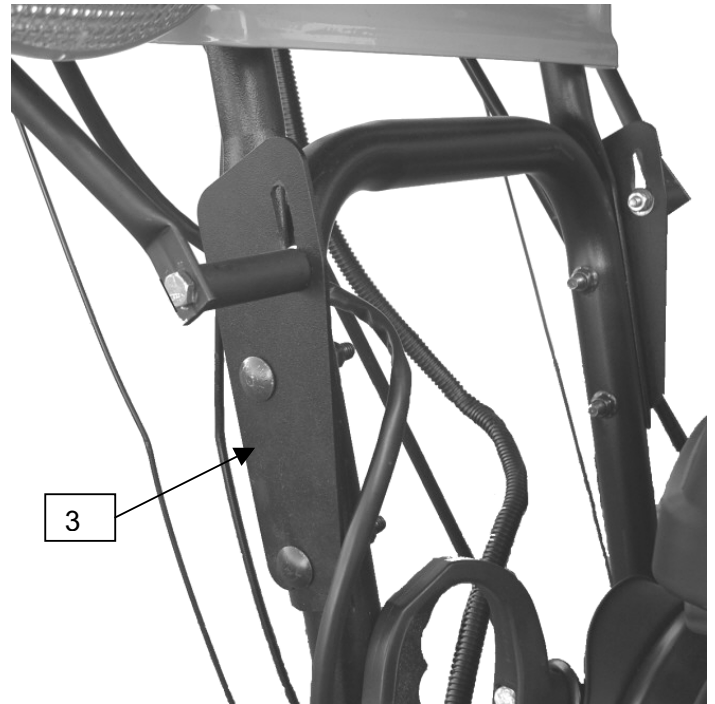


Figure 9

Note: On models with headlight the "Z" Bracket is placed between the light and the control panel. The light bracket must be turned around to fit on top of the "Z" Bracket.

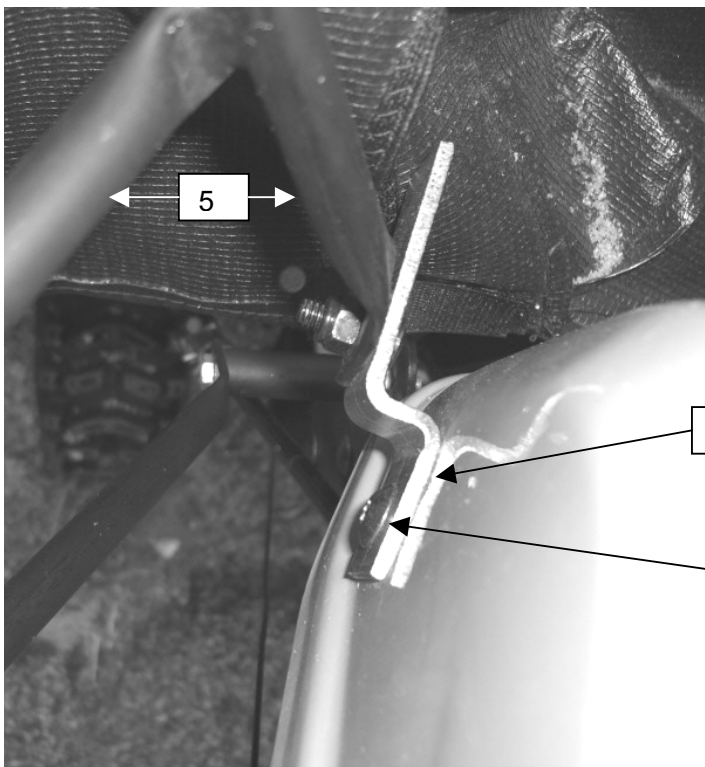


Figure 10

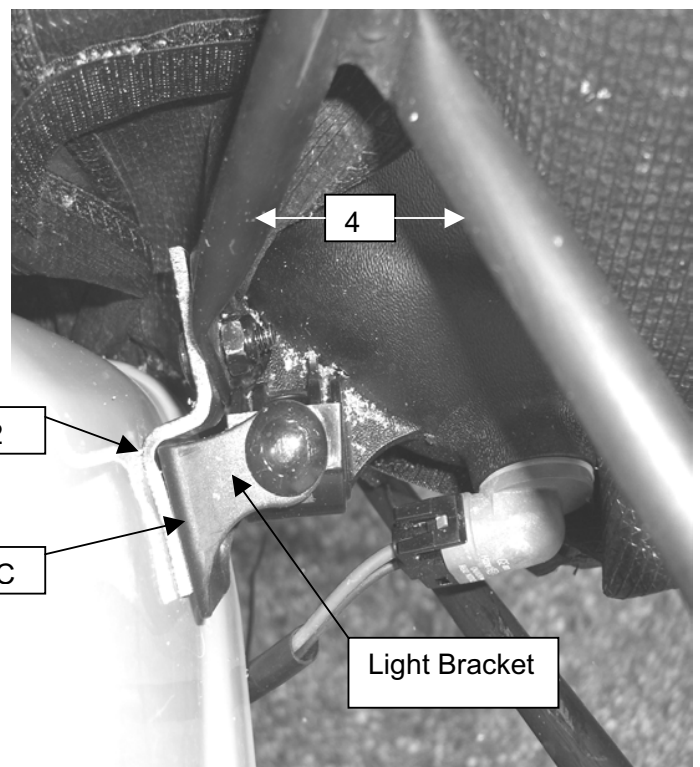


Figure 11

Assemble Frame

STEP 3; SEE FIGURE 12:

- A.** Attach the Horizontal Curved Bow (7) and the Front Posts (8) to the Brackets (4 & 5) using two 1/4" x 3/4" bolts and locknuts (refer to detail A).
- B.** Position the Front Posts on the inside of the assembly, the mounting tabs on the Horizontal Bow in the middle and the Brackets on the outside.
- C.** Be sure the tops on the Front Posts point toward each other.
- D.** Keep the bolt heads on the exterior of the enclosure. Do not tighten the bolts at this time

STEP 4; SEE FIGURE 12:

- A.** Mount each leg of the Rear Vertical Bow (9) to the Brackets (4 & 5) and the Horizontal Curved Bow (7) using a 1/4 x 1" bolt, two 1/4" fender washers, and a locknut (refer to detail B).
- B.** Be sure that the tabs on the Rear Vertical Bow are towards the front of the cab.
- C.** Position the bolt on the inside of the cab, with a fender washer on each side of the framework.
- D.** Position the Bracket on the inside of the assembly, with the Rear Vertical Bow in the middle, and the Horizontal Bow on the outside. Do not tighten bolts at this time.

STEP 5; SEE FIGURE 12:

- A.** Attach the Top Frame (10) to the Rear Vertical Bow (9) and the Front Posts (8) using four 1/4" x 3/4" bolts and locknuts.
- B.** Keep the bolt heads on the exterior of the frame.
- C.** Position the Rear Vertical Bow on the inside of the Top Frame.
- D. Tighten all of the frame bolts making sure that the Rear Vertical Bow (9) is at a 90-DEGREE angle to the Horizontal Bow (7).**

NOTE: This angle is critical so that the vinyl cover fits properly.

- E. Tighten all Bracket to handle bar bolts.**

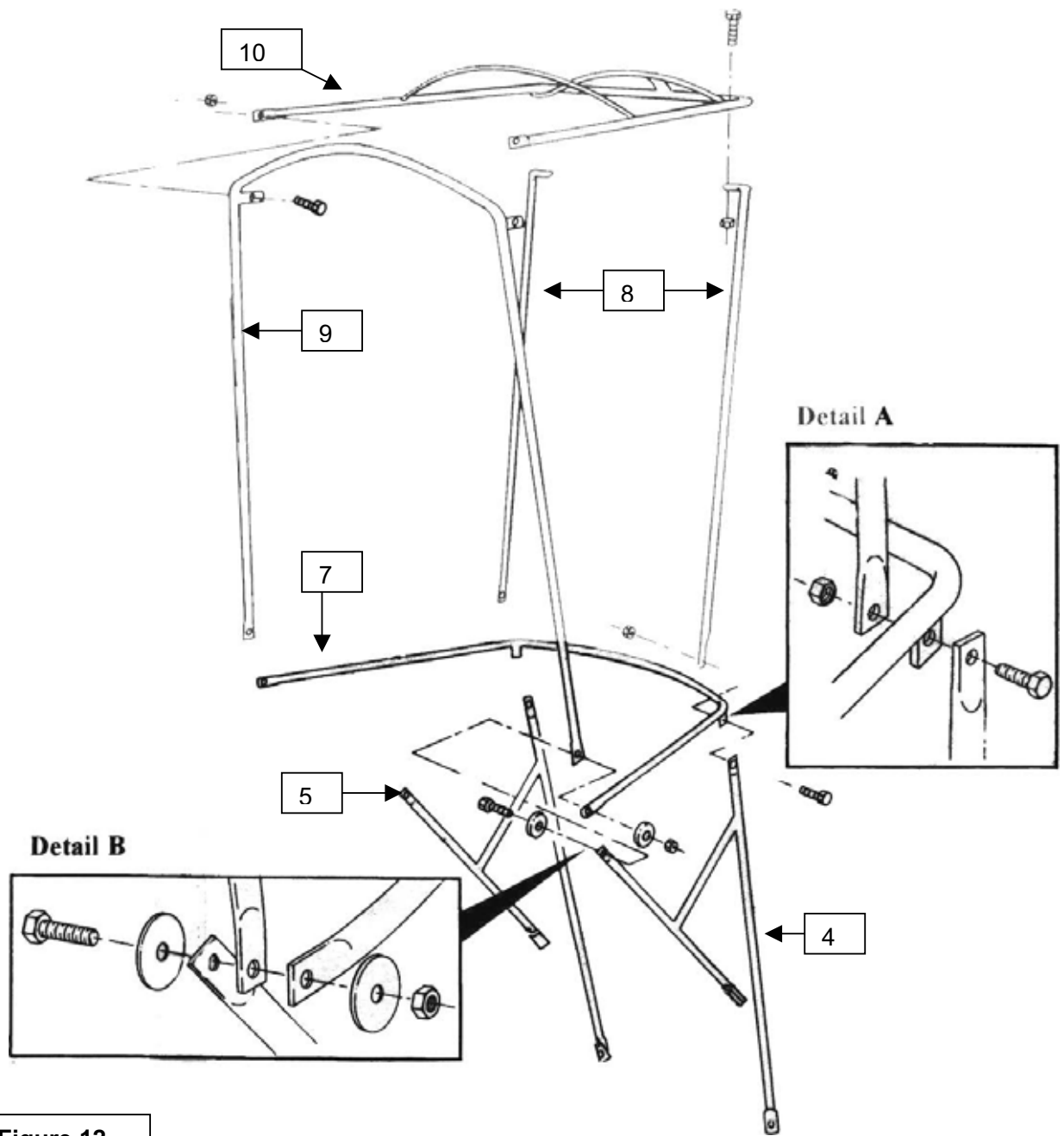


Figure 12

STEP 6; SEE FIGURE 13:

Install the Vinyl Cover (13) over the framework.

- A. Place the Vinyl Cover over the frame and secure all of the snaps.
- B. Insert the light through the slot in the vinyl where applicable.
- C. Place a plastic cap over each 1" bolt at reference F.
- D. Install the counterweight kit per the instructions in the carton.

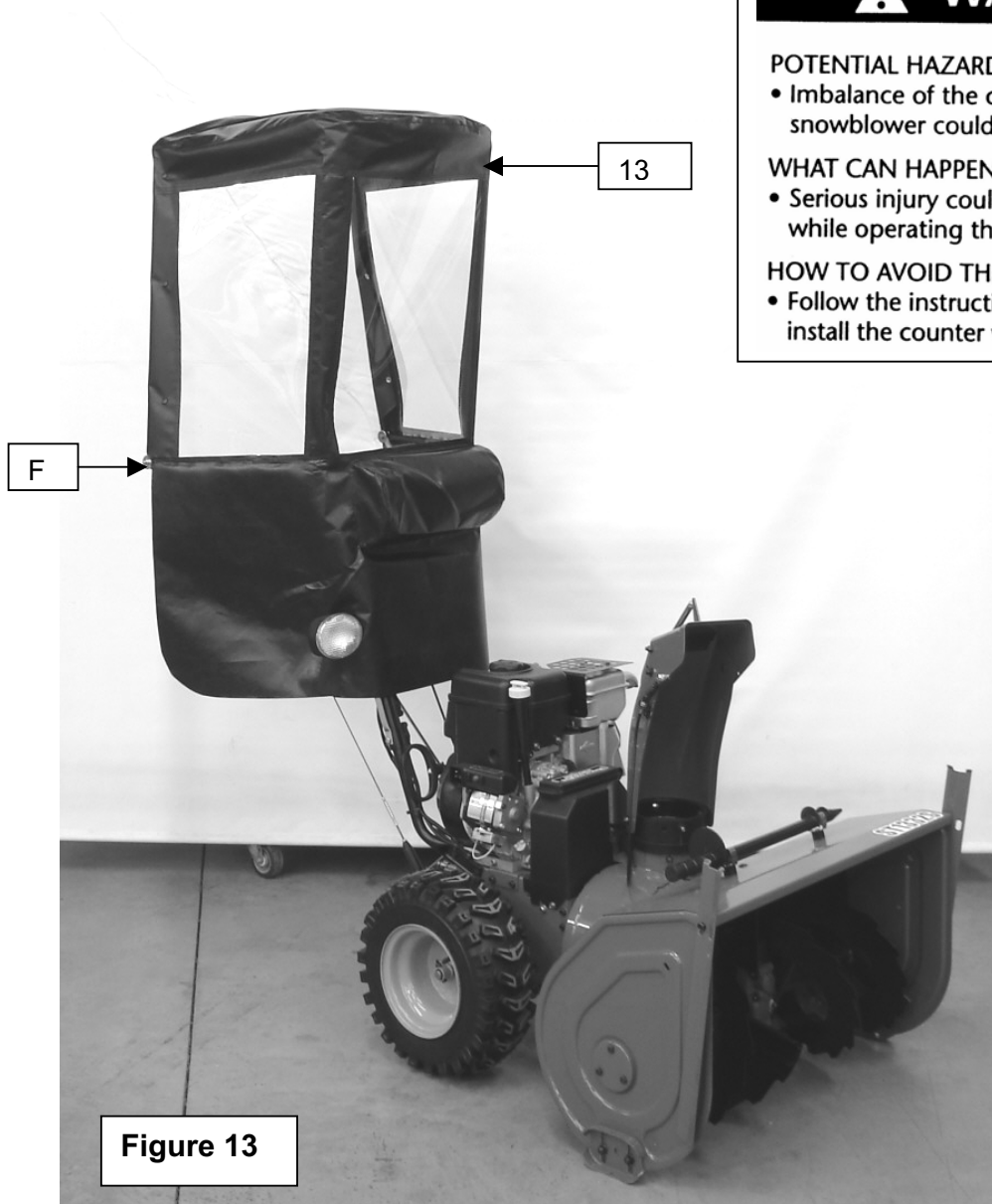


Figure 13

<p>! WARNING</p> <p>POTENTIAL HAZARD</p> <ul style="list-style-type: none">• Imbalance of the cab equipped snowblower could cause you to fall. <p>WHAT CAN HAPPEN</p> <ul style="list-style-type: none">• Serious injury could occur if you fall while operating the snowblower. <p>HOW TO AVOID THE HAZARD</p> <ul style="list-style-type: none">• Follow the instructions to install the counter weight .



WARNING

1. This cab is designed to provide foul weather protection only. It does not provide protection from noise, exhaust fumes, chemicals or injury from collision, rollover or other accidents.
2. Do not operate machine in confined areas without proper ventilation.
3. Thoroughly check area of operation before using machine.
4. The cab adds height to the machine. Low tree limbs and other overhead structures that did not interfere with the operation of the machine before may now be obstacles.

TRANSPORTING

Remove the vinyl cover for transporting the machine in an open vehicle.

MAINTENANCE INSTRUCTIONS

- A. Periodically check all bolts to see that they are tight. If bolts become loose, failure of cab parts may occur.

**DO NOT CLEAN THE CLEAR PLASTIC WINDOWS WHEN THE PLASTIC IS DRY.
THE CLEAR PLASTIC WILL SCRATCH.**

- B. Avoid contact with plastic windows. Keep plastic windows clean by washing them with clear running water and rubbing with your bare hands, only. The use of a rag, sponge or brush will scratch the plastic. Liquid soap may also be used for window cleaning. During freezing weather, an automotive windshield washer solvent may be used.
- C. Use liquid soap and water to clean colored vinyl portions. Scrubbing with a brush or rag is also permitted on the colored vinyl portions.

STORAGE INSTRUCTIONS

Prior to storage clean the windows and colored vinyl parts with a mild automotive detergent, rinse with clean water and allow to thoroughly dry. Store cab in a clean dry place out of direct sunlight. Avoid folding plastic windows.

Manufactured by

Original Tractor Cab Co., Inc.

**P.O. Box 97 6849 W Front St.
Arlington, IN 46104
Phone 765-663-2214
Fax 765-663-2101
Email sales@originalcab.com**

LIMITED WARRANTY SNOW REMOVAL EQUIPMENT CABS

COVERED BY WARRANTY

ORIGINAL TRACTOR CAB CO., INC., (the "Company") warrants to the owner that each new product listed below is merchantable and free of defects in workmanship and material.

During the warranty period, the dealer from whom the product was bought, or the Company, will provide, free of charge, parts and the shipping costs of parts necessary to correct any defect in workmanship and material.

WARRANTY PERIOD

The company products listed below are warranted for the stated period from the date of the original purchase:

- | | |
|--|--------|
| 1. Cabs for tractors and snow removal equipment | 1 Year |
| 2. Company manufactured accessories for above cabs | 1 Year |
| 3. Sunshades for lawn and garden tractors | 1 Year |
| 4. Repair parts | 1 Year |

OWNER'S RESPONSIBILITIES

The owner of a new Company manufactured product must do the following to qualify for warranty service :

1. Retain the original invoice or other proof of purchase to avoid unnecessary difficulties in determining eligibility for warranty work.
2. Notify the dealer from whom the product was bought, or the company, as soon as possible after discovery of a possible defect, and provide proof of original purchase.

To notify the company write to: Original Tractor Cab Co., Inc., P.O. Box 97, Arlington, IN 46104.

3. the owner may , upon notification by the Company, be required to return the defective part, or parts, to the Company for inspection and warranty service.

NOT COVERED BY WARRANTY

The following are not covered by this warranty:

1. Transportation charges to and from servicing dealer or the Company;
2. New products which have been subject to misuse, negligence or accident, or have been altered or repaired in a manner not authorized by the company;
3. Windshield wipers, lights, or accessories that are warranted separately by their respective manufacturers, except Company agrees to make available to the owner whatever warranty benefits may be made available to the Company by the manufacturers.

All implied warranties, except to the extent prohibited by any applicable law, shall have no greater duration than the warranty period for the applicable product, some states do not allow limitation on how long an implied warranty lasts, so the above limitation may not apply to you.

The Companys' liability arising out of warranties representation, instructions, or defects from any abuse, shall be limited exclusively to repair or replacing parts under the condition in the warranty, and in no event will Company be liable for incidental or consequential damages. Some states do not allow the exclusion or limitation of incidental or consequential damages, so the above limitation or exclusion may not apply to you.

This warranty gives you specific legal rights, and you may also have rights that vary from state to state.



**Yvan Béal - 21, av. de l'Agriculture - B.P 16
Z.I. du Brézet - 63014 Clermont-Ferrand Cedex 2
Tél : 04 73 91 93 51 - Télécopie : 04 73 90 23 11
www.yvanbeal.fr - E-mail : info@yvanbeal.fr
R.C.S. B 304 973 886 - S.A.S. au capital de 612 000 €**